



RU/ENG/CH
Manager in China
+7 776 120 70 10



RU/KZ
Manager in Kazakhstan
+7 706 820 55 55



kailas111@qq.com



WWW.KAILASTRADE.COM

KAILAS GROUP





PN25, DN50-200
标准型全焊接钢制球阀



PN40, DN15-200
全通径焊接钢制球阀



PN40, DN15-50
法兰全焊接钢制球阀



PN16, DN65-100
法兰全焊接钢制球阀



PN40, DN10-50
标准型全焊接钢制球阀



PN16/25, DN65-500
全通径焊接钢制球阀



WBV型全焊式锻钢球阀



燃气钢制PE球阀



PN25, DN25-150
直埋式放散球阀



PN25, DN125-600
标准型全焊接钢制球阀



PN16, DN125-500
法兰全焊接钢制球阀



PN25, DN125-600
标准型全焊接钢制球阀

安装使用现场



产品目录

Products contents

热力全焊接球阀

Heat All welded ball valve

- 01-02 阀门型号编制
Valve Model Preparation
- 03 浮动球阀力矩表
Floating ball valve torque meter
- 05-06 热力全焊接球阀性能简介
Heat Brief introduction of fully welded ball valve
- 07 供暖全焊接浮动式球阀(手柄操作):
All-welded floating ball valve for heating (handle operation):
- 08 供暖全焊接浮动式球阀(蜗轮操作):
All-welded floating ball valve for heating (Worm gear operation):
- 09-11 标准型全焊接钢制球阀
Fully-welded steel valve
- 12 法兰全焊接钢制球阀
Flange Fully-welded steel valve
- 13-14 全口径焊接钢制球阀
Fully-welded steel ball valve
- 15 可加预保温全焊接钢制直埋球阀
Underground fully welded steel ball valve, pre-incubated
- 16 直埋式放散球阀
Underground ball valve with a diffusion function
- 17 可加预保温全焊接钢制直埋球阀
Underground fully welded steel ball valve, pre-incubated
- 18-22 全焊接过滤球阀
Self-filtering fully welded ball valve
- 23 地下直埋式放散球阀施工图
Construction drawing for underground ball valve with a diffusion function

燃气锻钢全焊接球阀

Gas Fully welded ball valve

- 25-26 零配件装配图
Dynamic drawing
- 27-28 WBV型全焊式锻钢球阀
Fully welded body ball valve
- 29 锻钢结构
Forging steel structure
- 30 阀座结构
Seat structure
- 31 阀座单/双活塞效应
SPE/DPE
- 32 选择特点
Optionals
- 33 材料明细
Material specifications
- 34-36 尺寸表
Size & dimensions

燃气钢制PE球阀

Gas PE-F. S ball valve

- 38 装配爆炸图
Assembly drawing
- 39-40 主要特点
Design features
- 41-42 钢制PE球阀埋地示意图
Drawing of the PE-Forged-Steel ball valve

国标阀

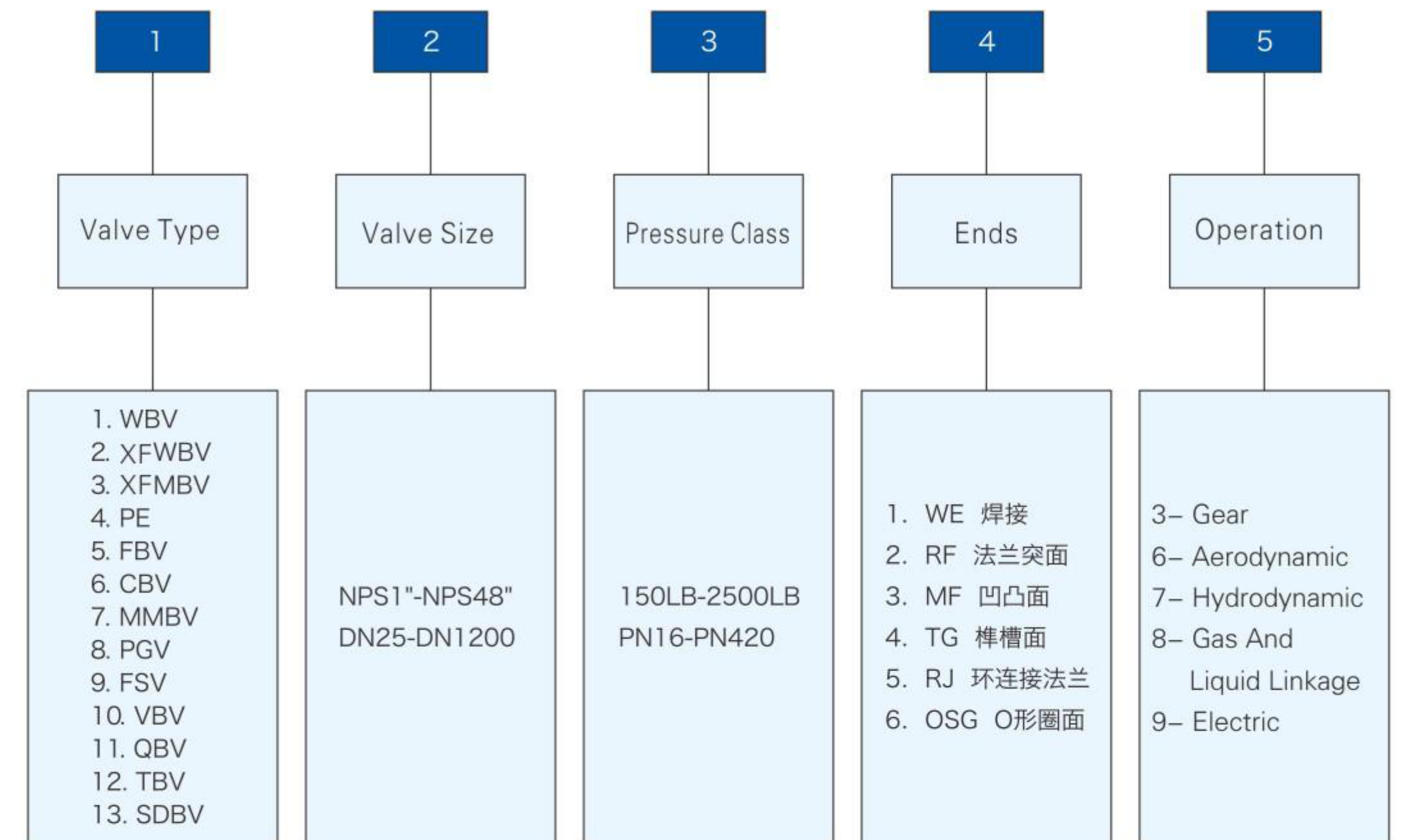
Metallurgical valve

- 43-45 国标闸阀
GB Gate Valve
- 46-49 国标截止阀
GB Globe Valve
- 50 国标升降式止回阀
GB Lift-return Check Valves
- 51-52 国标旋启式止回阀
GB Swing Check Valves

蝶阀

Butterfly

- 53-66 蝶阀系列
Butterfly Series



举例:

WBV-DN300-PN16-WE-3

阀门类型: GCWBV—城市燃气直埋球阀; 口径—DN300; 压力—PN16; WE—焊接; 3—蜗轮操作

Examples:

WBV-DN300-PN16-WE-3

Valve Type: GCWBV – city gas direct burial ball valve; Size – DN300; Pressure – PN16;
WE – welding; 3 – worm operation

阀门类型:

- WBV: 锻钢全焊接球阀 (标准型)
- XFWBV: 直埋式全焊接球阀 (长结构)
- XFMBV: 直埋式管焊球阀
- PE: 钢制PE球阀
- FBV: 锻钢分体式球阀
- CBV: 铸钢分体式球阀
- MMBV: 金属硬密封球阀
- PGV: 清管球阀
- FSV: 三通/四通阀
- VBV: V型球阀
- QBV: 一体式法兰球阀
- TBV: 内螺纹球阀
- SDBV: 水电球阀

其他注意事项:

订货时请注明以下部件材质: 阀体、球体、阀杆、阀座, 如不注明, 公司将按照公司常规设计制造

对于埋地球阀:

如阀杆需加高, 请注明加高高度 (加高高度为管中心到操作器顶部)

如需连接配管, 请注明连接配管材质以及尺寸

对于法兰连接球阀:

请注明是否需要配对法兰

Valve Type:

- WBV: Forge Steel Fully Welded Ball Valve(standard Type)
- XFWBV: Underground Full Welded Ball Valve (long Structure)
- XFMBV: Underground Pipe Material Welded Ball Valve
- PE: Steel Pe Ball Valve
- FBV: Forge Steel Split Ball Valve
- CBV: Cast Steel Split Ball Valve
- MMBV: Metal Seal Ball Valve
- PGV: Pig Valve
- FSV: Three Way/four Way Valve
- VBV: V Type Ball Valve
- QBV: One Pc Flanged Ball Valve
- TBV: Female Thread Ball Valve
- SDBV: Hydropower Ball Valve

Other notes:

Please specify when ordering the following parts material: body, ball, stem, seat, if not specified, the company will follow the company's conventional design and manufacturing

For underground ball valve:

If the valve stem needs to be raised, please indicate the height of the height (height of the tube center to the top of the operator)

If you need extension pipe, please specify the connecting pipe material and size

For flanged ball valves:

Please specify whether need companion flanges

DN	NPS	Class900	Class600	Class400	Class300	Class150	PN40	PN25	PN16
		PN150	PN110	PN64	PN50	PN20			
15	1/2	25	17	15	10	7	10	8	6
20	3/4	35	24	20	16	10	15	12	9
25	1	65	40	35	25	16	23	18	14
32	1 _{1/4}	100	60	50	35	24	32	28	22
40	1 _{1/2}	120	90	70	50	35	45	40	32
50	2	180	110	85	70	50	65	55	40
65	2 _{1/2}	/	165	130	100	80	95	85	60
80	3	/	300	200	160	120	150	130	90
100	4	/	600	340	280	180	260	190	130
125	5	/	/	/	600	280	550	320	250
150	6	/	/	/	1000	540	900	620	490
200	8	/	/	/	2100	960	1800	1100	860

固定球阀力矩表 Fixed ball valve moment table

WBV, XFWBV, XFMBV, PBV, CBV, MMBV, PGV, FSV, VBV型球阀力矩												
Torque Chart												
DN	ANSI	900	600	400	300			150	0	RUN	MAST	MAST
	ΔP,bar	149	99.3	64	49.6	40	25	18.9	0	45°	150~600	900
2"	50	160	125	100	95	88	80	74	50	36	627	1377
3"	80	310	252	208	195	180	169	155	103	80	1377	1377
4"	100	690	403	330	308	293	270	253	195	160	2722	8836
6"	150	1890	1280	950	800	720	580	520	380	300	7000	7000
8"	200	3070	2050	1500	1260	1140	950	870	610	500	7000	7000
10"	250	3900	2600	1950	1650	1480	1200	1100	770	610	7000	19400
12"	300	5170	3450	2530	2134	1925	1540	1386	940	825	7000	19400
14"	350	9770	5180	3880	3220	2900	2400	2200	1530	1230	19400	19400
16"	400	10500	7000	5210	4480	4100	3380	3060	2080	1670	19400	31700
18"	450	14400	9600	7150	6150	5500	4400	3950	2800	2300	31700	31700
20"	500	21350	14250	10600	8800	7910	6200	5650	4200	3400	31700	76600
22"	550	23550	15700	13000	11800	10500	8500	7700	5200	4200	31700	76600
24"	600	31880	22600	17300	15150	13500	10900	9850	6700	5350	76600	76600
26"	650	39750	26500	20500	18100	16200	13000	11400	8000	6300	76600	158000
28"	700	45000	29950	23200	20400	18300	14800	13250	9200	7350	76600	158000
30"	750	49500	33000	24700	21200	19000	15600	14150	9750	7800	76600	158000
32"	800	52275	34850	26600	23200	21000	17000	15350	10300	8250	76600	158000
36"	900	/	41600	31100	26700	24100	20000	18000	13200	10000	158000	/
40"	1000	/	49000	36600	31500	28200	23400	21200	14400	11600	158000	/
42"	1050	/	62500	39000	33500	30100	25500	23000	15500	12350	158000	/
48"	1200	/	96600	59400	52500	46800	37800	34000	22350	18000	158000	263700

备注: 1.驱动装置选型力矩=阀门全压查力矩X1.5倍安全系数。
 2.以上数据为软密封结构, 干净介质的力矩, 如选用硬密封则以上数据有所变化, 通常为4倍常规力矩。
 Note: 1.drive device selection torque = valve full pressure check torque X1.5 times safety factor.
 2.the above data is a soft seal structure, a clean medium torque, such as the selection of hard seal, the above data have changed, usually 4 times the conventional torque.

用途 Application:

城市燃气: 燃气输出管道、主干线及各支线供应管道等。
 集中供热: 大型供热设备输出管线、主干线、支线。
 热交换机: 管道及各回路启闭。
 钢铁厂: 各种流体管道、废气排放管道、煤气和热力供应管道燃料供应管道。
 各种工业设备: 各种热处理管道、各种工业煤气和热力管道。
 City gas: gas outlet pipe, supply pipe for main line and all branch lines etc.
 Collect heat supply: outlet pipe, main line and branch line for large heat supply equipment.
 Heat exchanger: turn on and off of pipe and all loops.
 Steel plant: various fluid pipes, discharging pipe for exhaust gas, supply pipe for gas, thermal power and fuel.
 Various industrial equipment: various heat treatment pipes, pipe for all kinds of industrial gas and thermal power

特性 Features:

一体式焊接球阀、不会有外部泄漏等现象。
 由于阀座是由碳纤维增强特氟隆密封环及碟形簧构成的, 所以对压力和温度的变化适应能力强, 在标注压力和温度范围内不会产生任何泄滑。球体的加工过程有先进的计算机检测仪跟踪检测, 所以球体的加工精度高。由于阀体材料跟管道材质一样不会出现应力不均, 也不会由于地震及车辆经过地面时而产生变形, 管道耐老化。密封环本体采用含量20%Carbon (碳素) 的RPTFE材质, 保障完全无泄漏(0%)。直埋式焊接球阀可以直接埋于地下, 不用建大型阀门井, 只需在地面上设置小型浅井大大节省施工费用及工程时间。可根据管道的施工及设计要求调整阀体的长短和阀杆的高度。球体的加工精度非常精密, 操作轻便, 无不良干涉。采用高级的原材料, 能保PN25以上的压力。与同类行业的同种规格产品相比, 阀体小, 而且外型美观。在保证阀门正常操作、使用情况下, 使用寿命在15年以上。

Exterior leakage won't occur in fully welded ball valve.

As valve base consists of teflon sealing ring strengthened by carbon fiber and disc spring, so it can adjust well to change on pressure and temperature without any leakage risk within marked pressure and temperature range. Ball body is manufactured with high accuracy tracking and detecting with advanced computer and detector Valve body is made of the same material of pipe, so stress is evenly distributed without deformation risk when earthquake happens or vehicles drive through the ground. Pipe is resistant to aging. No leakage can be assured with sealing ring being made of PTFE contained 20%Carbon. Underground fully welded ball valve can be embedded under ground with small and shallow well being set on ground rather than large valve well being required, so that construction cost and time are saved substantially. Length of valve body and height of stem can be adjusted in accordance with requirement of pipe construction and design. Ball body can be operated simply and easily with high processing accuracy but no bad interference, which is made of high grade raw materials and can bear pressure above PN25. It is small and beautiful comparing with products with same specification in similar industry. It has life period of more than 15 years when used at normal operational and using conditions.

安装 Installation

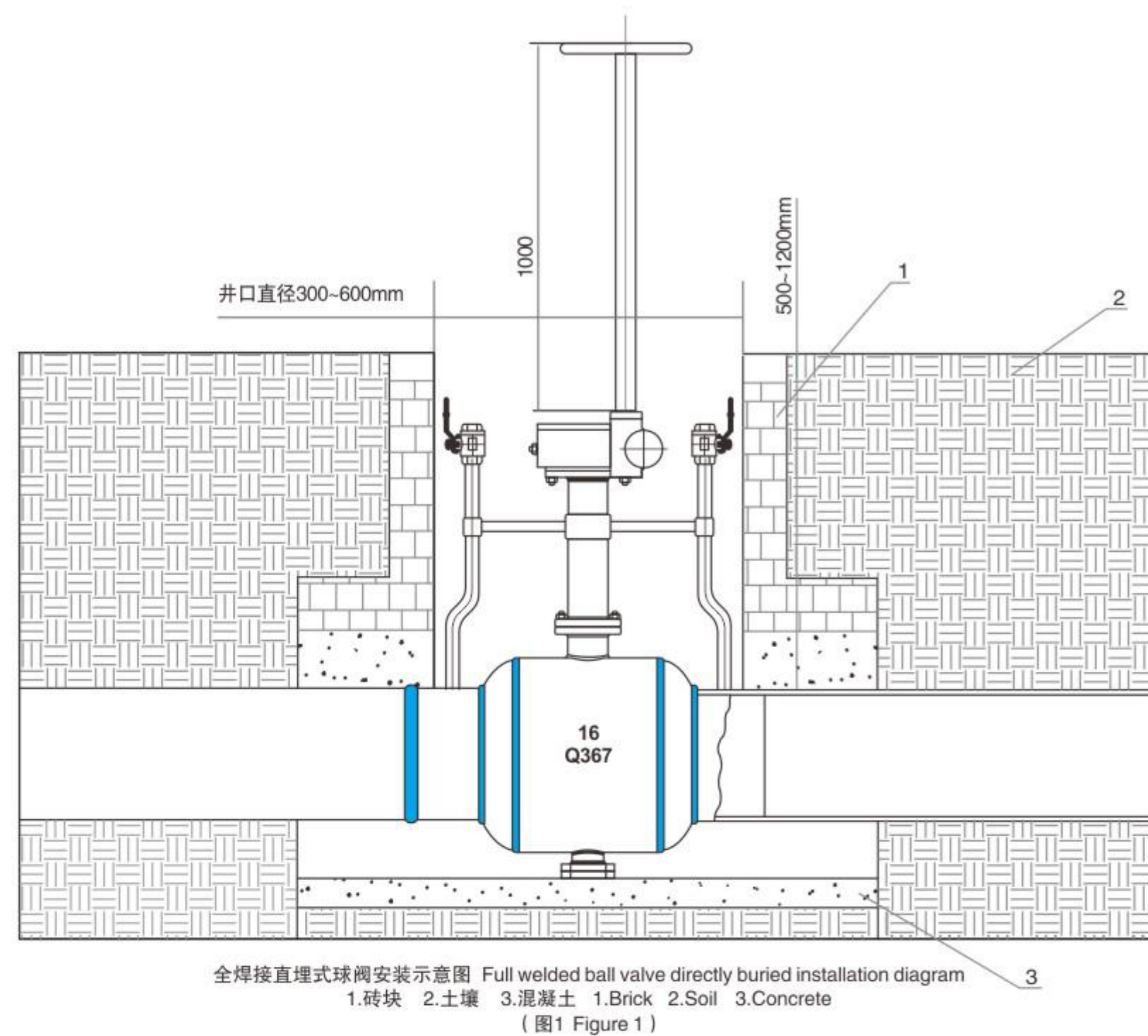
所有兴锋钢质球阀的末端焊接采用电焊或手工焊接。应避免阀室过热。焊接末端距离不能过短, 确保不会将焊接过程产生的热量对密封材料造成破坏。安装过程中应将阀门全部打开。

目录中已给出全部的设计所需的说明, 请选择材料、型号、管径及其它技术规格。
 新的目录还可以根据需要进行增添。产品说明, 尺寸和技术参数仅供参考, 我们保留更改的权力。

All XFV steel ball valves with welding ends can be elec-trode-welded or autogeneously welded. Excessive heating of the valve housing is to be avoided. Do not shorten the welding ends, since these have been tailored to the individual welding processes to ensure that the transmission of heat has no effect on the sealing material The ball valve must be fully open du ring installation.

This catalogue has been built up to give all necessary information about design, choice of material, types, dimensions and other technical specifications.

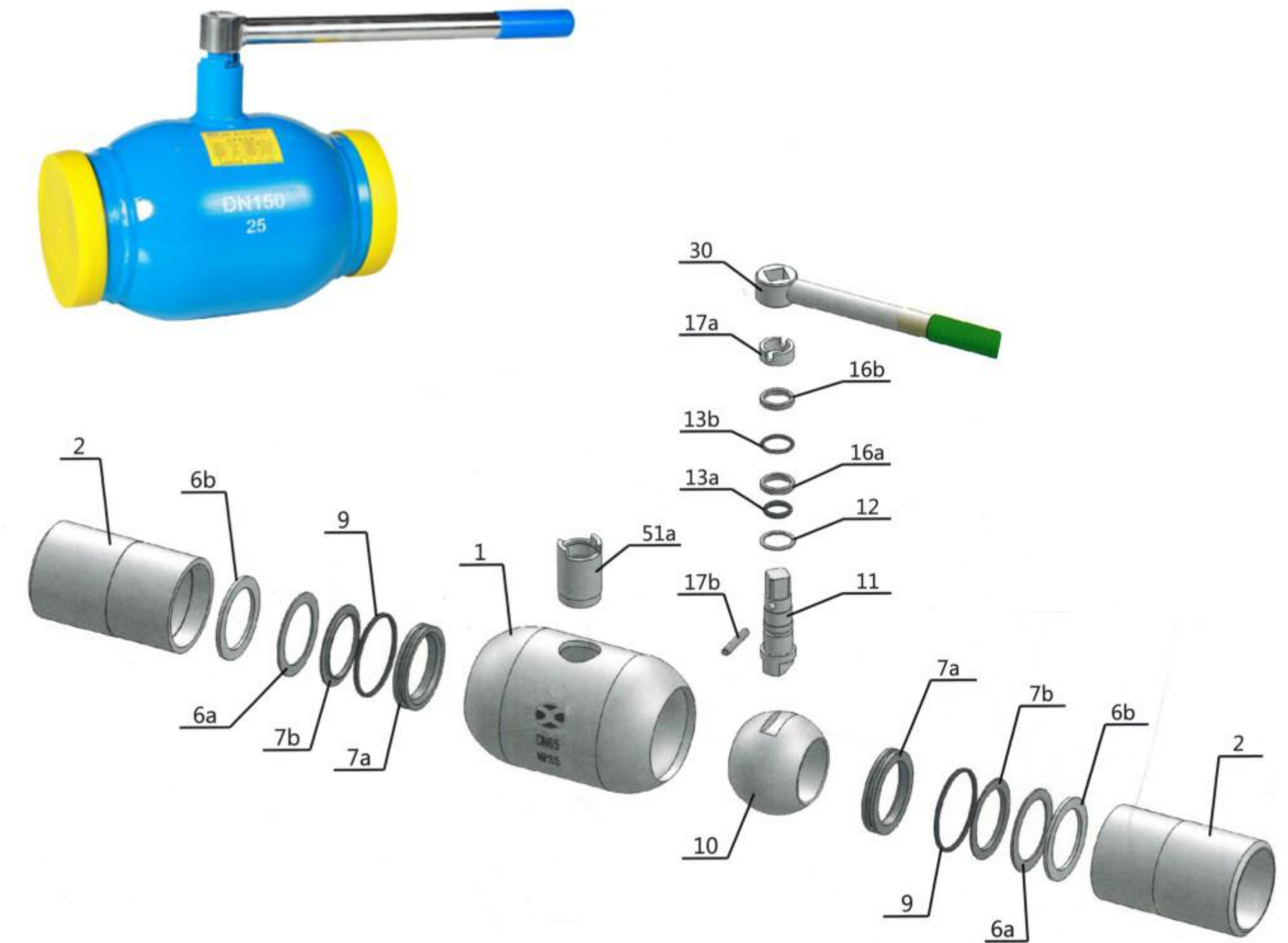
New catalogue sheets will be issued according to requirements. The illustrations, dimensions and technical specifications are for guidance only; we reserve the right to make alterations.



全焊接阀门的特点 Features of fully welded valves:

1. 技术国内领先, 免维护, 寿命长。
 2. 焊接工艺独特, 具有无气孔、无砂眼、承压高、阀体零泄漏。
 3. 采用高品质不锈钢球体, 双层支撑式密封结构, 球体支撑科学合理。
 4. 密封垫用特氟龙、镍、石墨等材料制成, 并经过炭化处理。
 5. 阀井费用低, 开启操作方便。
 6. 直埋式焊接球阀阀体长度可以根据埋深尺寸确定。
 7. 设有高压状态下也能防止润滑密封剂倒流的逆止阀形式注脂口。
 8. 根据管道系统介质的需要, 阀门设了放散、排污、防止装置。
 9. 数控生产设备, 强大技术支持, 软硬件搭配合理。
1. Leading technology in China, maintenance-free and long life.
 2. Unique welding process, with no air or sand holes, withstanding of high pressure and zero leakage of the valve body.
 3. Adopting the high-quality stainless steel ball and a double-layer supporting seal structure for scientific and reasonable ball support.
 4. The sealing gasket is made of such materials as Teflon, nickel and graphite and adopts carbonization.
 5. The valve shaft is low-cost, easy for opening operation.
 6. The body length of a buried welded ball valve can be determined according to the buried depth.
 7. A grease port in a form of check valve is mounted to prevent back flow of the lubricating sealant in a high-pressure state.
 8. The valve is provided with devices for relief, sewage and prevention as required by the pipeline system's medium.
 9. CNC production equipment, strong technical support and reasonable matching of software and hardware.

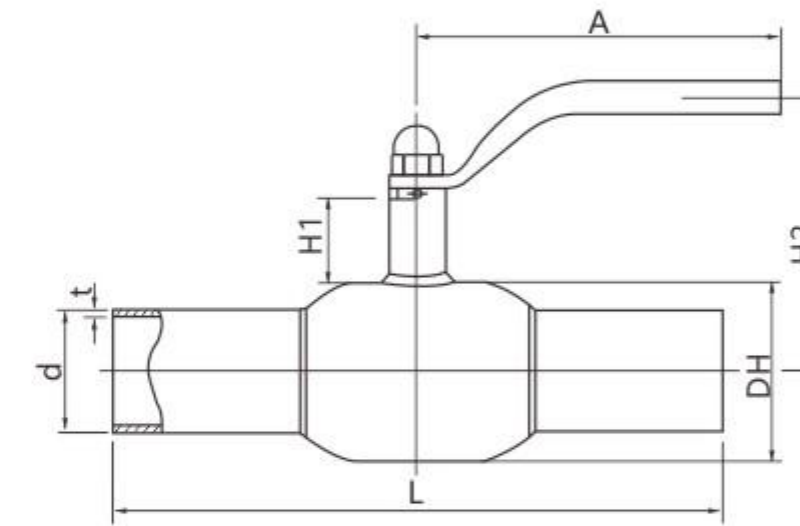
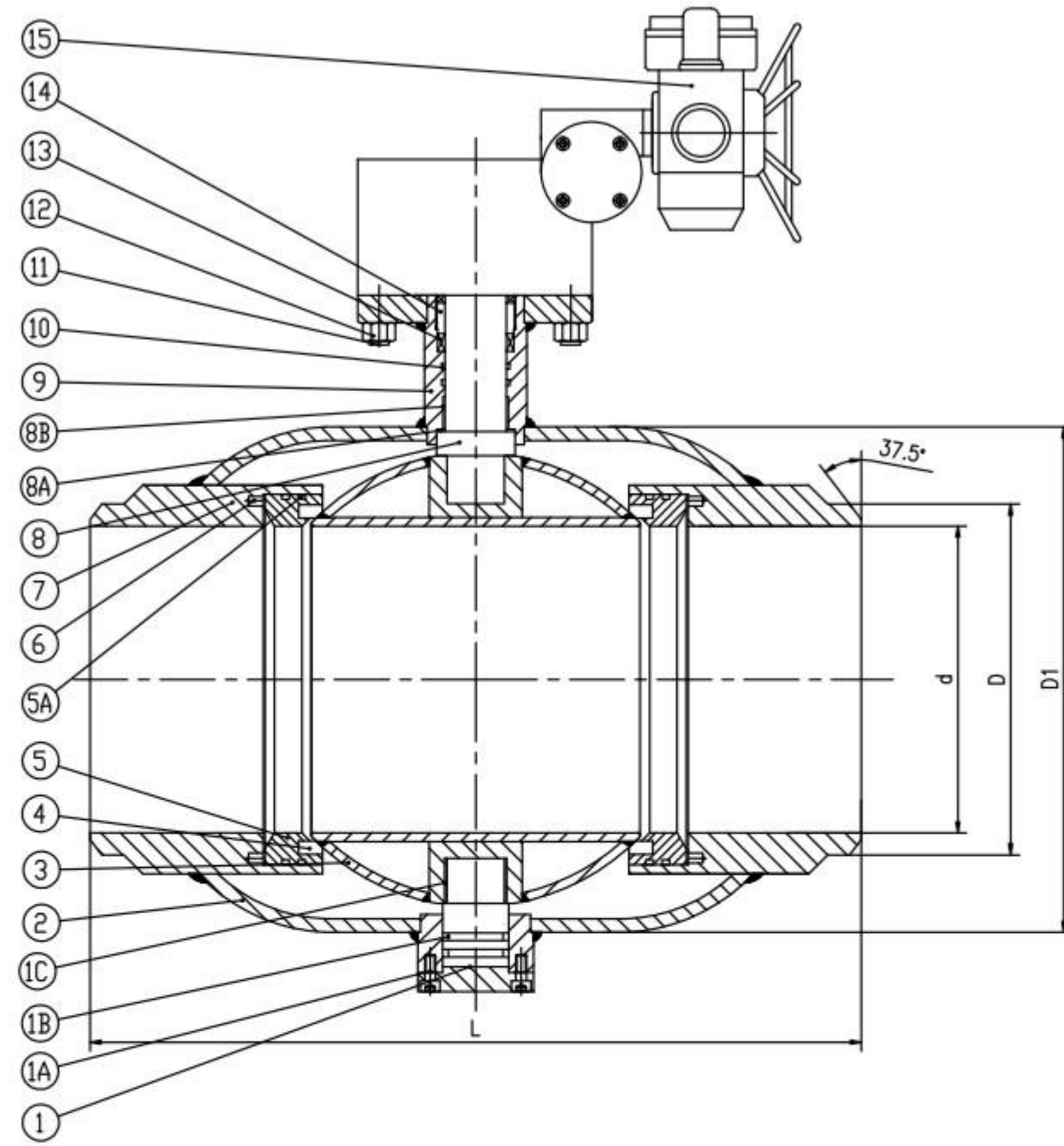
供暖全焊接浮动式球阀(手柄操作):



主要零部件材料 Main parts and materials:

序号NO.	零件名称Part name	材料Material	序号NO.	零件名称Part name	材料Material
1	中体Mid-body	20"	16a	填料Packing	PTFE
2	接管Connecting pipe	20"	16b	填料Packing	PTFE
6a	蝶形弹簧Belleville spring	65Mn	17a	定位压盖Locating gland	SS304
6b	挡板Baffle	A105	17b	圆轴销Circular shaft pin	20"
7a	密封圈Sealing ring	PTFE+25%C	23	滑动轴承Sliding shaft bearing	20"+PTFE
7b	防火圈Fire-protection ring	SS304	30	手柄Handle	20"
9	O型密封圈O-shaped sealing ring	VITON	35	手动操作器Manual valve	组合件 Assembling unit
10	球体Ball	SS304	36	键Button	45"
11	阀杆Stem	2Cr13	39	弹性垫圈Elastic washer	65Mn
12	止推垫片Thrust washer	PTFE	40	六角头螺栓Hexagon bolt	20"
13a	O型密封圈O-shaped sealing ring	VITON	51a	阀杆接头Stem joint	20"
13b	O型密封圈O-shaped sealing ring	VITON	51b	螺纹压盖Threaded gland	20"

供暖全焊接浮动式球阀(蜗轮操作):



材料 Materials

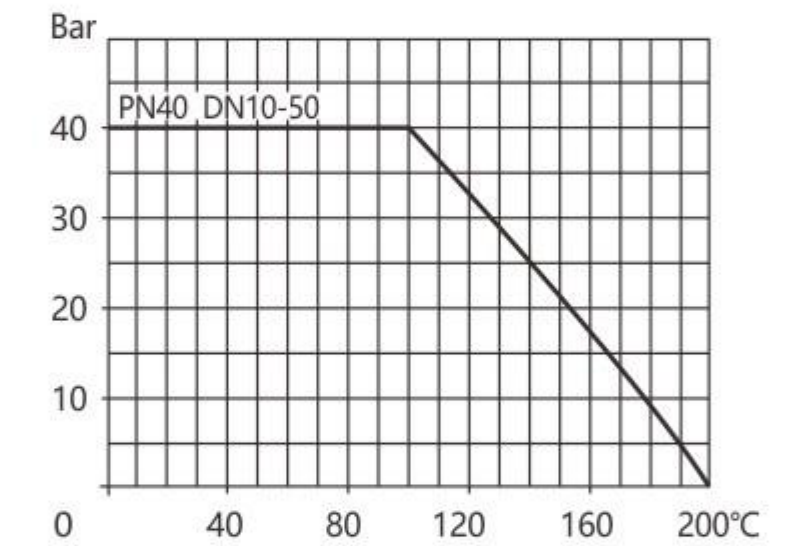
图表 / 产品说明
Graphs/Product Descriptions.

适用范围 Application

供暖系统、区域供热、工业用途、城市燃气
Heating systems, district heating, industrial purposes

介质 Media

水, 空气, 油和其它不与碳钢发生化学反应的流体
Water, air, oil and other fluids, which are not decomposing carbon steel



主要零部件材料 Main parts and materials:

序号NO.	零件名称Part name	材料Material	序号NO.	零件名称Part name	材料Material
1	下轴Lower shaft	2Cr13	8	上阀杆Upper Stem	2Cr13
1A	内六角螺钉hexagonal screw	35CrMoA	8A	止推垫片Thrust washer	PTFE+c
1B	O型圈O-ring	VITON	8B	轴套Axle sleeve	SF-1
1C	轴套Axle sleeve	SF-1	9	阀杆套Stem sleeve	20#
2	中阀体Middle valve body	20#	10	O型圈O-ring	VITON
3	球体Ball	304	11	螺栓Bolt	35CrMoA
4	密封圈Seal ring	PTFE+C	12	螺母Nut	45#
5	阀座valve seat	A105	13	填料Packing	石墨Graphite
5A	O型圈O-ring	VITON	14	压套Press sleeve	20#
6	弹簧Spring	60Si2Mn	15	电动装置motor unit	组合件Assembly
7	边管Side tube	20#			

主要连接尺寸 Main connection size

DN	公称直径 Bore	DH	d		t	L	H1	H2	A	重量kg Weight kg
			A/B							
10	10	33	17.2/14		3	210	50	116	140	0.8
15	10	33	21.3/18		3	210	50	116	170	0.9
20	15	42	26.9/25		3	230	47	115	170	1.1
25	20	48	33.7/32		3	230	47	120	170	1.2
32	25	60	42.4/38		4	260	48	124	170	2.5
40	32	76	48.3/45		4	260	41	129	200	3
50	40	89	60.3/57		5	300	41	135	275	4

材料 Materials

图表 / 产品说明
Graphs/Product Descriptions.

适用范围 Application

供暖系统、区域供热、工业用途、城市燃气
Heating systems,district heating,industrial purposes

介质 Media

水, 空气, 油和其它不与碳钢发生化学反应的流体
Water,air,oil and other fluids,which are not decomposing carbon steel



材料 Materials

图表 / 产品说明
Graphs/Product Descriptions.

适用范围 Application

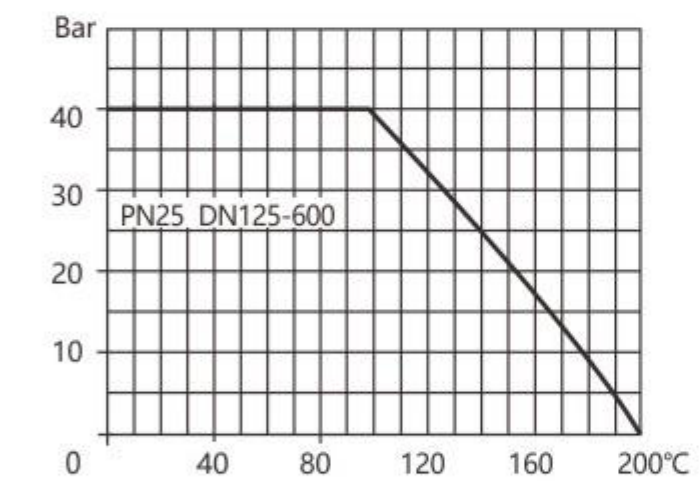
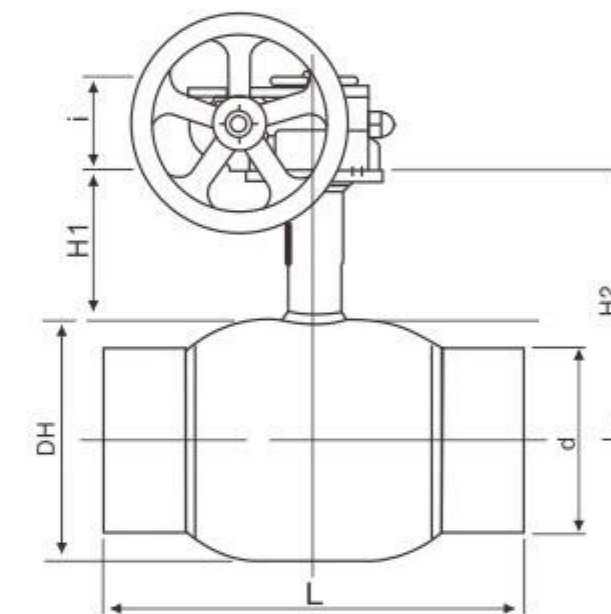
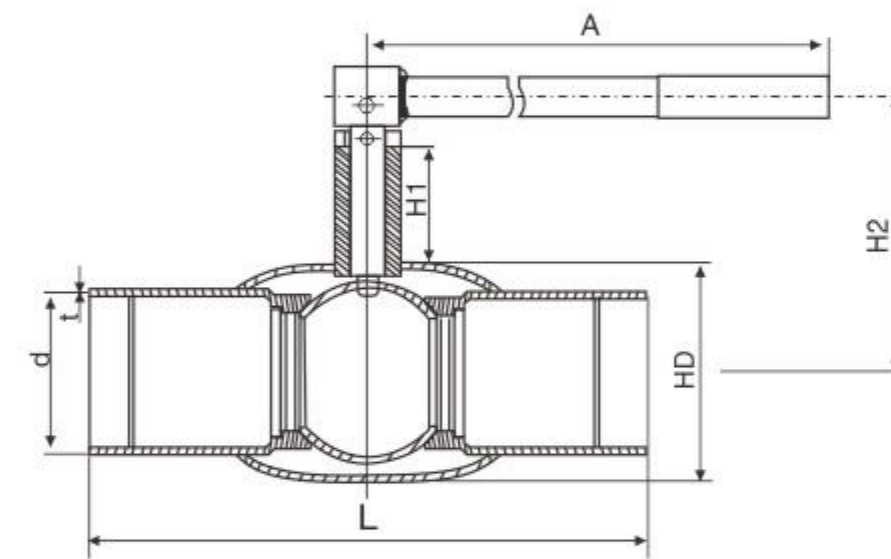
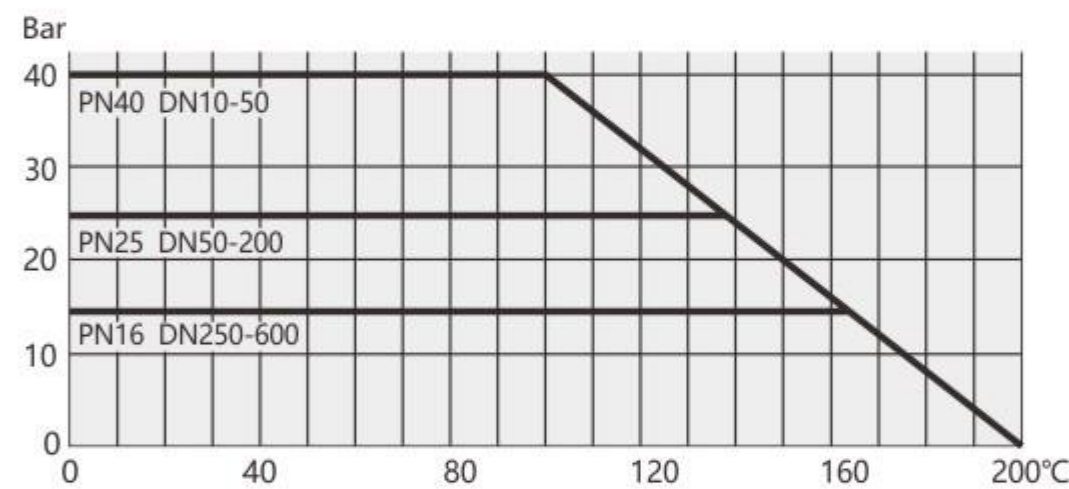
供暖系统、区域供热、工业用途、城市燃气
Heating systems,district heating,industrial purposes

介质 Media

水, 空气, 油和其它不与碳钢发生化学反应的流体
Water,air,oil and other fluids,which are not decomposing carbon steel

**根据标准要求, 规格为DN250-DN600的不提供手柄
As standard,DN250-600 is supplied without handle**

- 可以订购如下附加配件: The following operating devices are available to order:
- 可移动齿轮执行机构 Backstop for mobile actuator
 - 手动齿轮执行机构 Stationary hand-operated actuator.
 - 电动齿轮执行机构阀杆 Electric actuator.
 - 末端装有ISO标准法兰 The spindle top is equipped with an ISO flange.



主要连接尺寸 Main connection size

DN	公称直径 Bore	DH	d		t	L	H1	H2	A	重量kg Weight kg
			A/B							
50	40	89	60.3/57		5	300	35	135	275	4
65	50	108	76.1/76		6	300	35	144	275	5.5
80	65	133	88.9/89		6	300	44	154	320	8
100	80	159	114.6/108		6	320	50	193	320	11
125	100	180	139.7/133		8	320	42	218	395	18
150	125	219	168.3/159		8	350	83	343	550	22
200	150	273	219/219		10	400	84	345	700	42

主要连接尺寸 Main connection size

DN	公称直径 Bore	DH	d		t	L	H1	H2	i	ISO	重量kg Weight kg
			A/B								
125	100	180	139.7/133		8	320	42	221	40	F07	22
150	125	219	168.3/159		8	350	83	245	50	F10	30
200	150	273	219.1/219		10	400	84	289	60	F12	50
250	200	351	273/273		10	530	90	306	84	F14	86
300	250	425	323.9/325		12	580	87	336	105	F16	145
350	300	508	355.6/377		14	680	102	395	110	F25	220
400	350	580	406.4/426		20	760	95	445	120	F25	400
450	400	580	457/480		20	760	95	460	120	F25	480
500	400	670	508/530		22	910	95	522	150	F30	650
600	500	800	610/630		24	1080	105	610	170	F30	980

材料 Materials

图表 / 产品说明
Graphs/Product Descriptions.

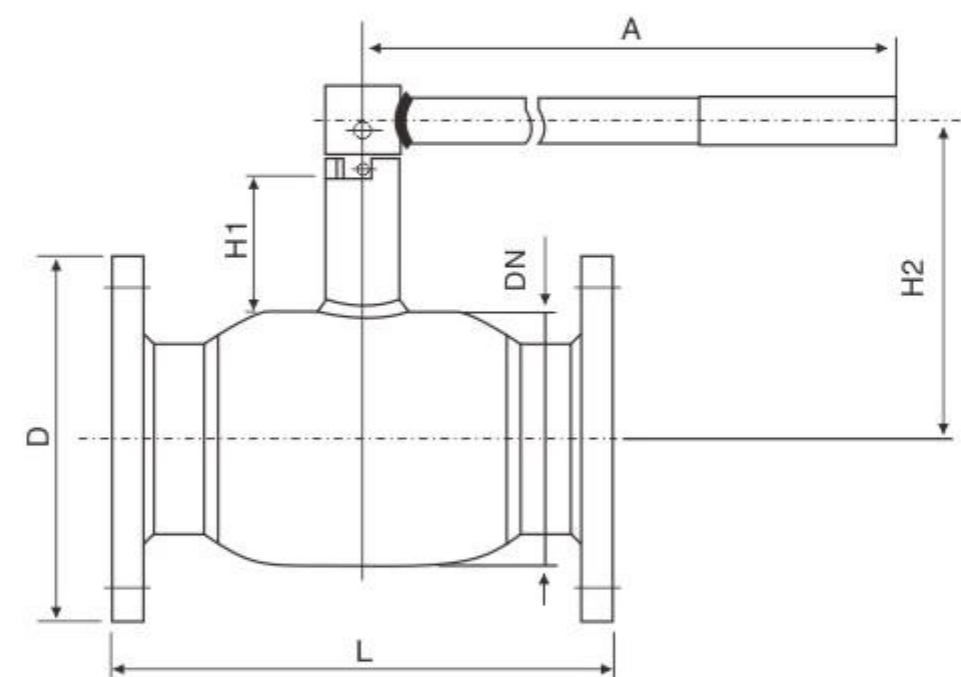
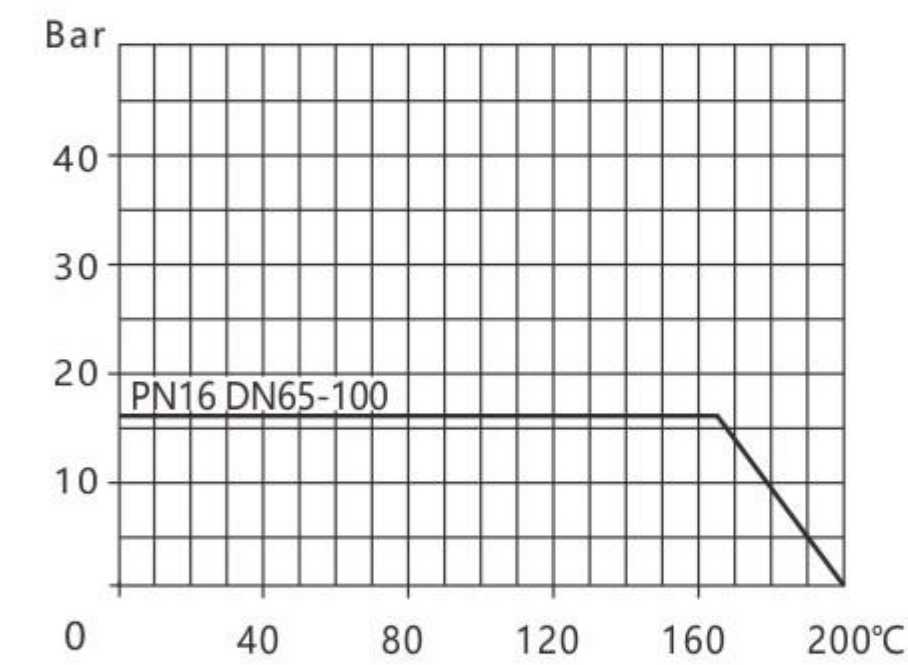
适用范围 Application

供暖系统、区域供热、工业用途、城市燃气
Heating systems,district heating,industrial purposes

介质 Media

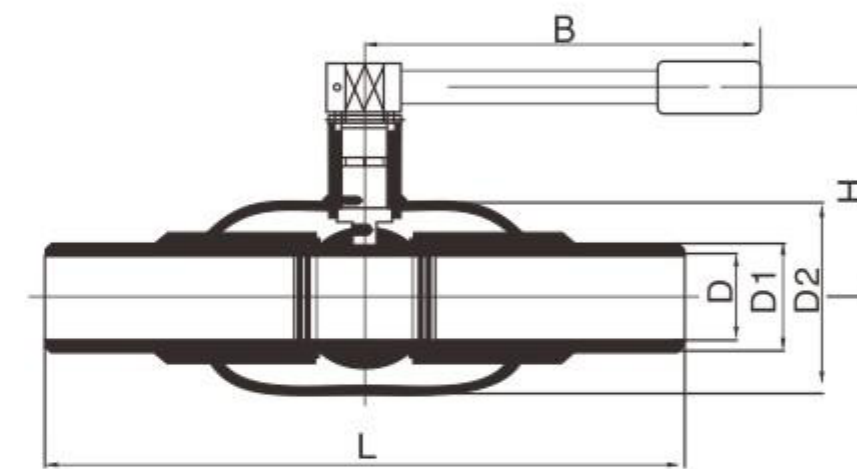
水, 空气, 油和其它不与碳钢发生化学反应的流体
Water,air,oil and other fluids,which are not decomposing carbon steel

其它压力等级: 见特殊型号
Other pressure levels:see special models.



主要连接尺寸 Main connection size

DN	公称直径 Bore	DH	D	L	H1	H2	重量kg Weight kg
65	50	108	185	300	35	144	7.5
80	65	133	200	300	44	154	13
100	80	159	220	320	50	193	22
125	100	180	250	320	47	221	32
150	125	219	285	350	83	245	45
200	150	273	340	400	84	289	56
250	200	351	405	530	90	306	97
300	250	425	460	580	87	336	170
350	300	508	520	680	102	395	250
400	350	610	580	760	95	445	440
500	400	680	715	910	95	522	700



主要连接尺寸 Main connection size

DN	PN	L	D	D1		D2	H	B	H1	重量kg Weight kg
				A/B						
15	40	230	15	21.3/18		42.4	120	170	48	1.1
20	40	230	20	26.9/25		48.3	130	170	48	1.2
25	40	230	25	33.7/32		60.3	140	170	55	2.5
32	40	260	32	42.4/38		76.1	150	200	57	3
40	40	260	40	48.3/45		88.9	110	275	57	4
50	40	300	50	60.3/57		108.0	125	275	58	5.5
65	25	300	65	76.1/76		133.0	140	320	72	8
80	25	300	80	88.9/89		159.0	165	320	79	11
100	25	320	100	114.6/108		180.0	175	395	79	18
125	25	350	125	139.7/133		219.1	200	550	95	22
150	25	350	150	168.3/159		273.0	220	700	88	50
200	25	400	200	219.1/219		351	265	1000	90	86

材料 Materials

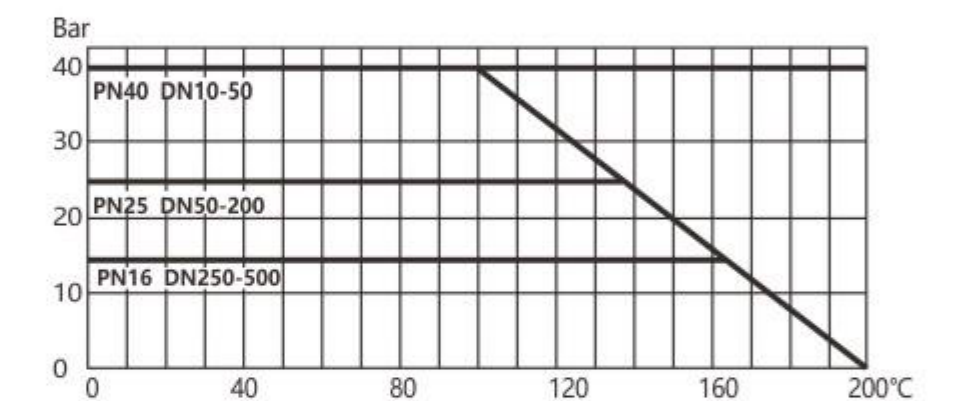
图表 / 产品说明
Graphs/Product Descriptions.

适用范围 Application

供暖系统、区域供热、工业用途、城市燃气
Heating systems,district heating,industrial purposes

介质 Media

水, 空气, 油和其它不与碳钢发生化学反应的流体
Water,air,oil and other fluids,which are not decomposing carbon steel



材料 Materials

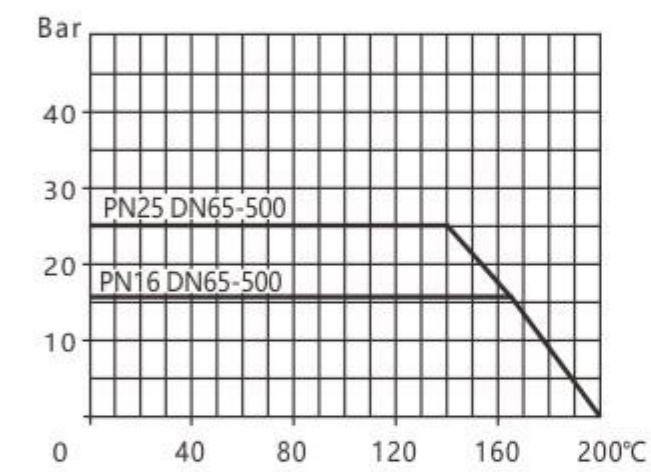
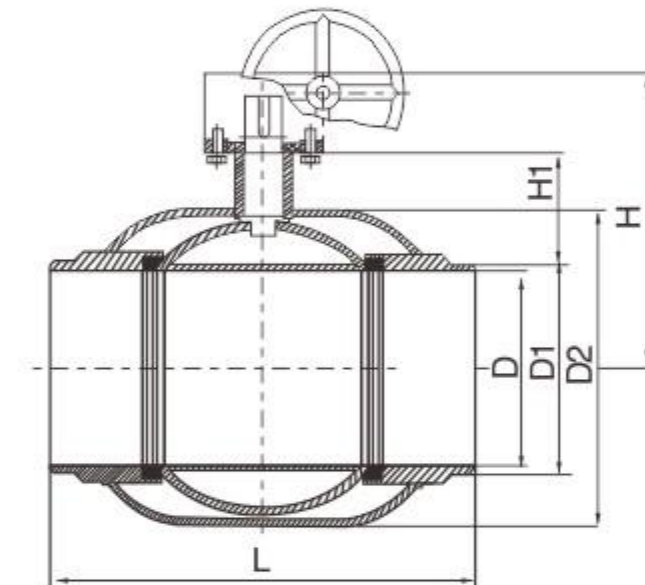
图表 / 产品说明
Graphs/Product Descriptions.

适用范围 Application

供暖系统、区域供热、工业用途、城市燃气
Heating systems,district heating,industrial purposes

介质 Media

水, 空气, 油和其它不与碳钢发生化学反应的流体
Water,air,oil and other fluids,which are not decomposing carbon steel



主要连接尺寸 Main connection size

DN	PN	L	D	D1		D2	H	H1	重量kg Weight kg
				A/B					
50	25	300	50	60.3/57		108	204	58	10
65	25	300	65	76.1/76		133	224	72	12
80	25	300	80	88.9/89		159	244	79	15
100	25	320	100	114.3/108		180	289	79	29
125	25	320	125	139.7/133		219	365	109	30
150	25	350	150	168.3/159		273	422	112	55
200	25	400	200	219.1/219		351	520	129	94
250	25	530	250	273.0/273		425	555	138	160
300	25	580	300	323.9/325		508	637	179	245

材料 Materials

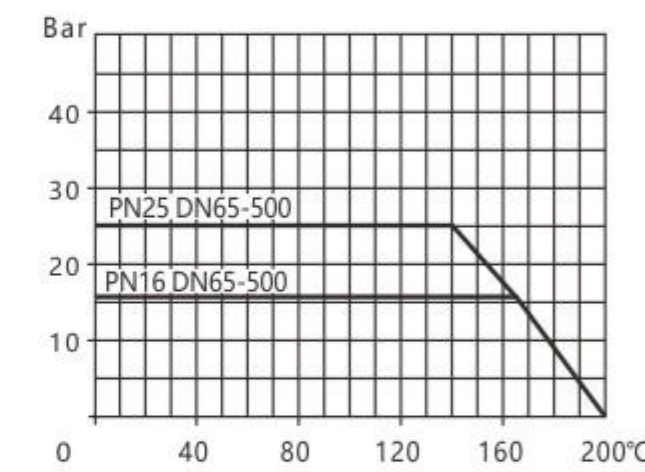
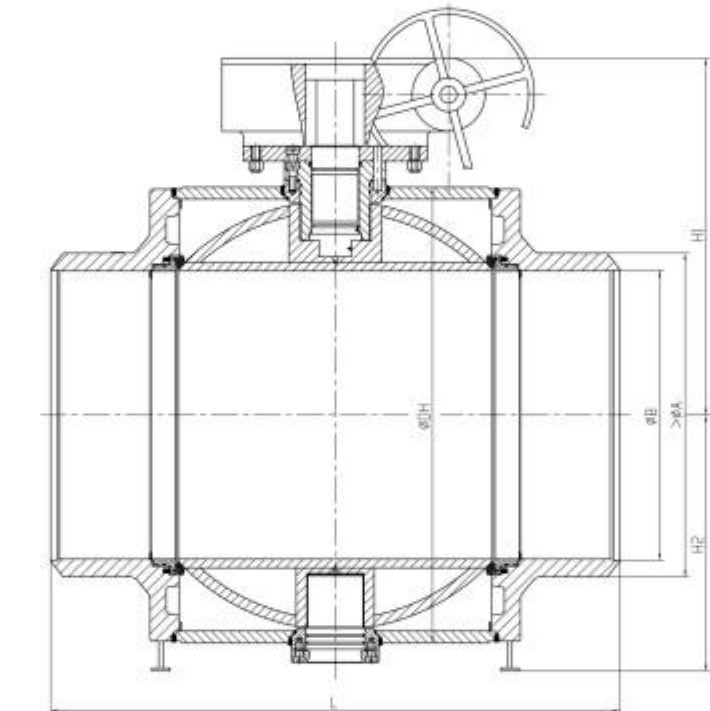
图表 / 产品说明
Graphs/Product Descriptions.

适用范围 Application

供暖系统、区域供热、工业用途、城市燃气
Heating systems,district heating,industrial purposes

介质 Media

水, 空气, 油和其它不与碳钢发生化学反应的流体
Water,air,oil and other fluids,which are not decomposing carbon steel



主要连接尺寸 Main connection size

DN	PN	L	D	D1		DH	H1	H2	重量kg Weight kg
				A	B				
DN350	25	760	50	377	350	580	530	353	
DN400	25	914	65	426	400	580	530	353	
DN450	25	914	80	480	450	720	625	425	
DN500	25	1080	100	530	500	800	710	555	
DN600	25	1340	125	630	600	955	770	640	
DN700	25	1520	150	720	700	1115	898	767	
DN800	25	1524	200	820	790	1260	966	810	
DN900	25	1727	250	920	890	1420	1010	890	
DN1000	25	1840	300	1020	990	1560	1220	960	
DN1200	25	2100	350	1220	1190	1860	1355	1110	
DN1400	25	2400	400	1420	1380	2170	1225	1510	
DN1600	25	2600	450	1620	1580	2460	1725	1360	

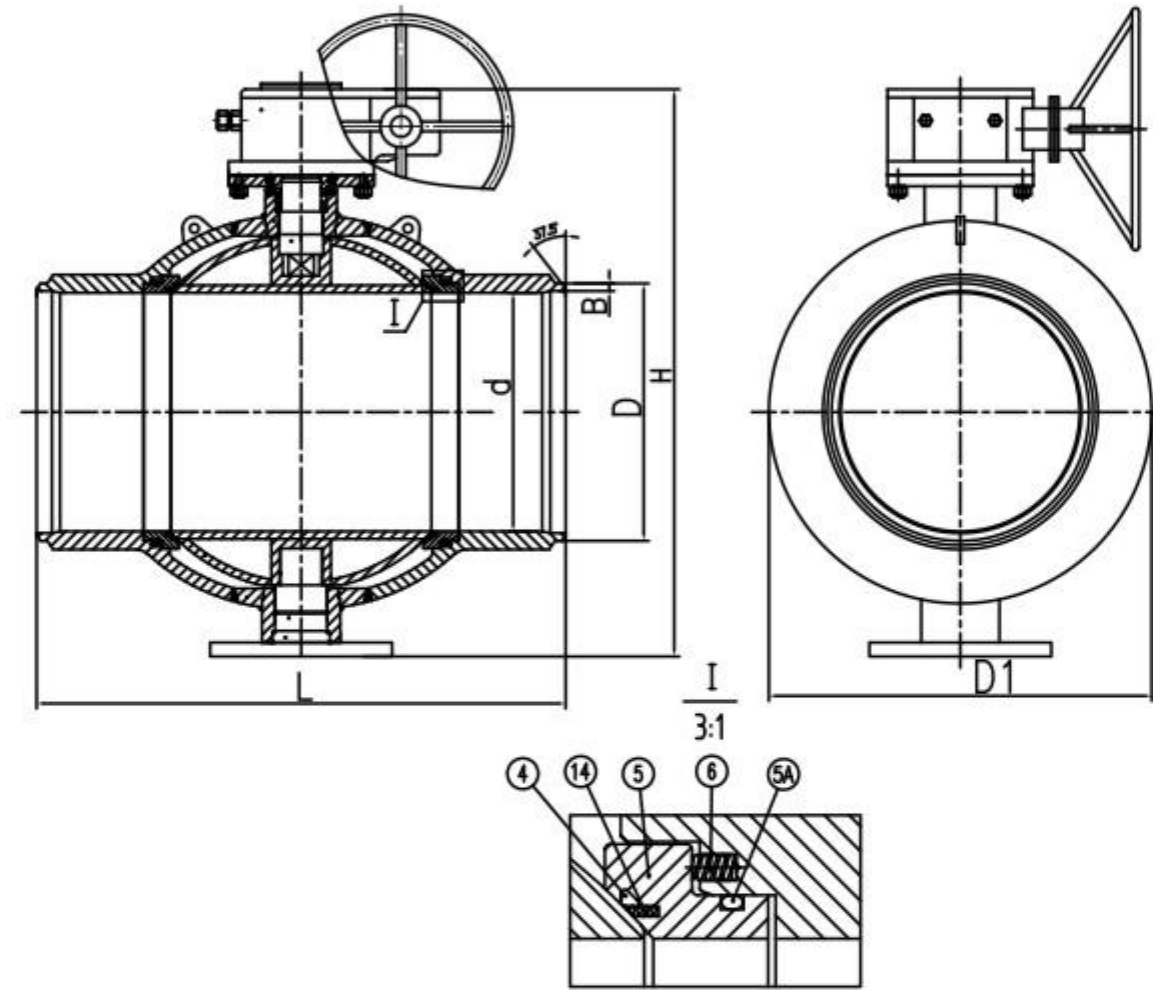


适用范围 Application

区域供热、制冷和供暖系统、城市燃气
District heating, cooling and heating supply systems

介质 Media

水, 空气, 油和其它不与碳钢发生化学反应的流体
Water, air, oil and other fluids, which are not decomposing carbon steel



主要连接尺寸 Main connection size

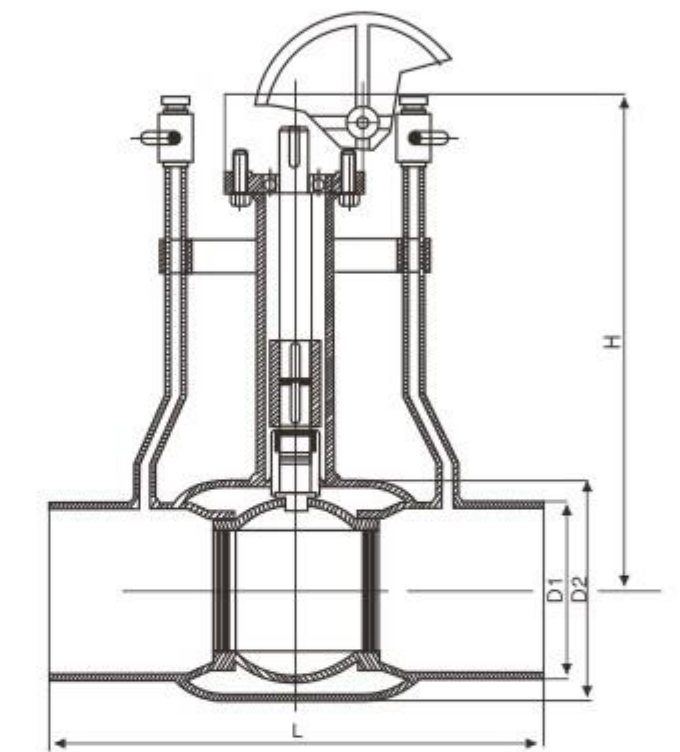
SIZE DN	PN	L	d	D	D1	B	H
DN300	25	762	300	325	530	7	760
DN400		915	400	426	690	7	1050
DN500		1143	500	530	820	8	1220
DN600		1380	589	630	1000	9	1360
DN700		1524	684	720	1150	11	1660
DN800		1727	779	820	1300	12	1850
DN900		1900	874	920	1450	13	2000
DN1000		2000	976	1020	1600	14	2300
DN1200		2430	1166	1220	1910	16	2600
DN1400		2680	1360	1420	2225	19	2920
DN1600		2950	1360	1620	2650	21	3550

适用范围 Application

天然气管线、城市燃气
Natural gas pipelines, city gas

介质 Media

天然气、煤气、燃气和其它不与碳钢发生化学反应的流体
Natural gas, coal gas, fuel gas and other fluids, which are not decomposing carbon steel.



主要连接尺寸 Main connection size

SIZE DN	A	D	D1	D2	L
			A/B		
50	300	40	60.3/57	89	600
65	300	50	76.1/76	114	600
80	300	65	88.9/89	140	600
100	340	80	114.3/108	165	600
125	400	100	139.7/133	216	600
150	400	125	168.3/159	219	800
200	400	150	219.1/219	267	800
250	400	200	273.1/273	355	800
300	500	250	323.9/325	457	800
350	500	300	355.6/377	508	800
400	500	337	406.4/426	558	1200
450	500	337	457.2/480	558	1200
500	600	387	508.0/530	660	1200
600	650	489	609.6/630	812	1200



材料 Materials

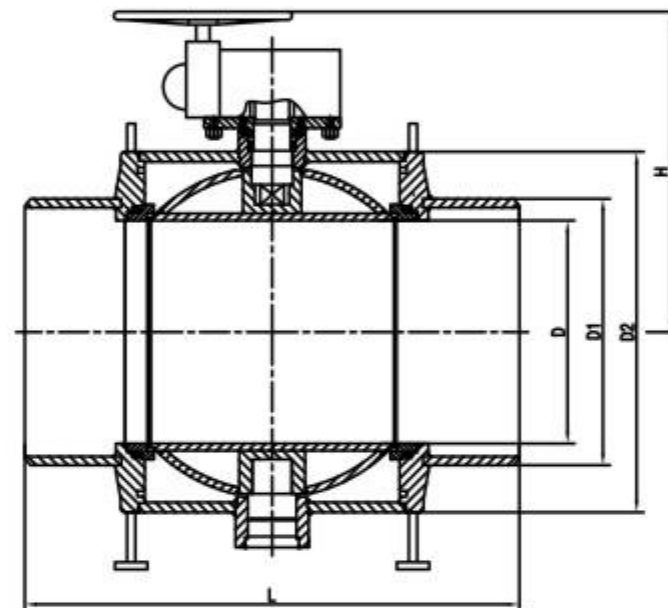
图表 / 产品说明
Graphs/Product Descriptions.

适用范围 Application

区域供热、制冷和供暖系统、地市燃气
District heating, cooling and heating supply systems

介质 Media

水、空气、油和其它不与碳钢发生化学反应的流体
Water, air, oil and other fluids, which are not reacting with decomposing carbon steel



主要连接尺寸 Main connection size

SIZE DN	D	D1		D2	L	H
		A/B				
50	40	60.3/57		89	300	190
65	50	76.1/76		114	300	204
80	65	88.9/89		140	300	224
100	80	114.3/108		165	320	244
125	100	139.7/133		194	320	289
150	125	168.3/159		219	350	356
200	150	219.1/219		267	400	390
250	200	273.1/273		355	530	560
300	250	323.9/325		457	580	636
350	300	355.6/377		508	680	683
400	350	406.4/426		600	760	774
450	350	457/480		600	760	774
500	385	508/530		660	910	827
600	487	610/630		812	1080	900
700	589	711/720		950	1340	1075
800	684	813/820		1110	1520	1120
900	779	914/920		1260	1520	1260
1000	874	1016/1020		1410	1900	1380
1200	976	1219/1220		1590	2100	1570
1400	1166	1422/1420		1930	2250	1826

背景技术

在流体介质输送管道中，球阀是一种有效必备的截断装置。为了清除流体介质中的杂质和污物，保持输送管道的清洁和畅通，在输送管道中设置过滤器则是一种提高流体质量必不可少的重要设备。现有输送管道中安装过滤器和球阀因占用空间大，常受到是有条件的限制并且过滤器的拆洗困难。

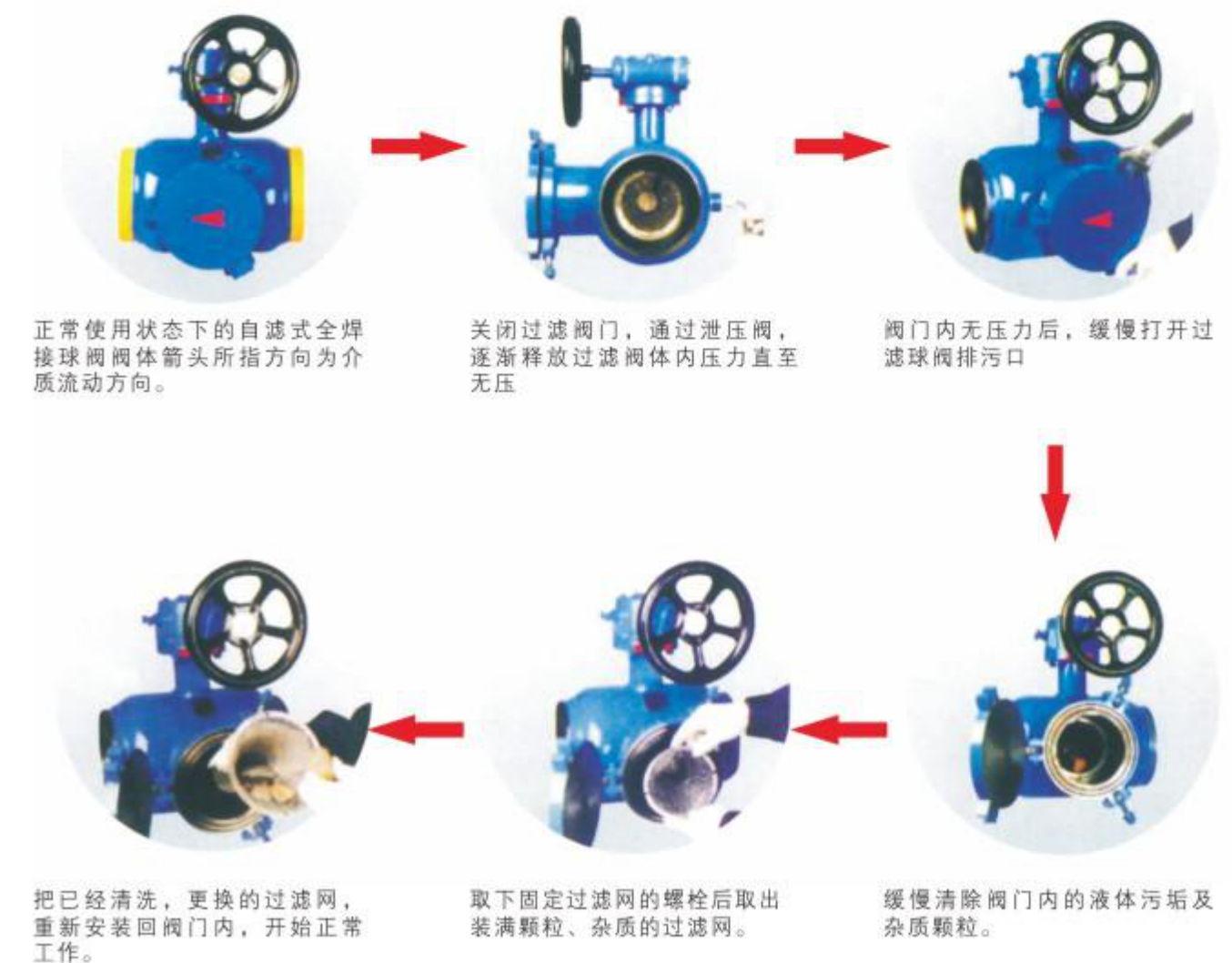
本实用新型自虑式焊接球阀，解决了现有管道中设置过滤器受到的安装条件限制和维修时存在清洗困难等问题，其设计合理，结构紧凑，操作灵活省力，安装、维方便，即显著减少占用空间，又有利于降低成本和广泛推广应用。

在自虑式焊接球阀开启状态下，流体介质通过球体的通孔内腔时，可以由自身设置的过滤网对流体介质进行过滤，当球体顺时针旋转90度时，自虑式焊接球阀处于关闭状态，起截断输送管道中流体介质的作用。

在阀体的侧壁设置联通的中道法兰和与清洗水管管连接的排污管，可以通过打开中道法兰盖和排污管，方便快捷的清洁过滤网，也可以在排污管上设置电动阀门或气动阀门，以便实现对过滤网进行自动冲洗。若过滤网破损，打开中道法兰盖可以进行更换。



清洗过程



Background technique

Ball valves are an effective and necessary shut-off device in fluid-medium delivery pipelines. In order to remove impurities and contaminants in the fluid medium and to keep it clean and unobstructed, the provision of a filter in the transfer line is an essential device that is essential to improve the quality of the fluid. Due to the large space required to install the filter and the ball valve in the existing transfer pipelines, there is often a restriction on the conditions and difficulty in disassembling and cleaning the filter.

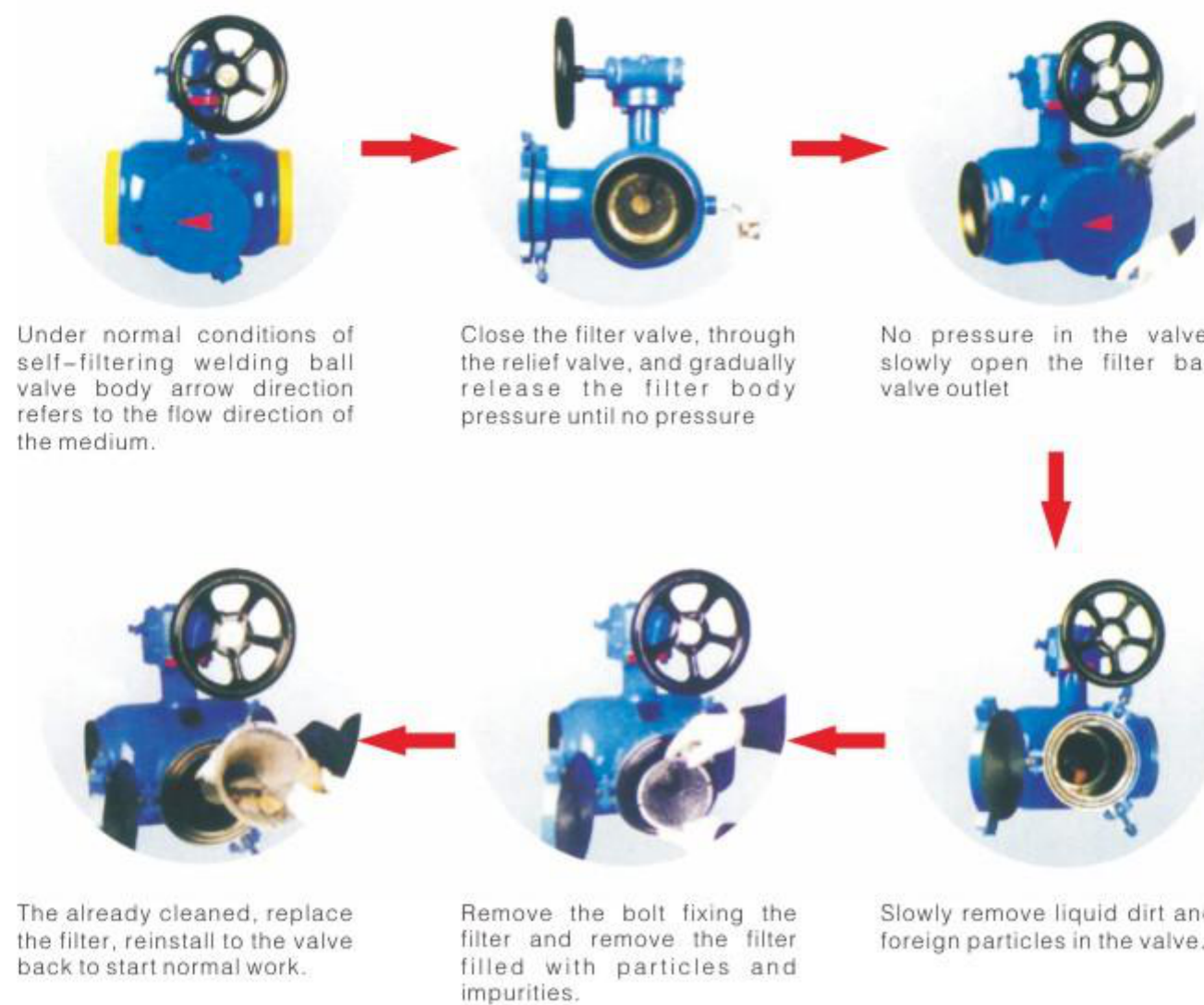
The self-filtering welding ball valve solves the problems that existing filters are subject to installation restrictions and maintenance when cleaning the existing filters, and the like, and the problems are that the design is reasonable, the structure is compact, the operation is flexible and labor-saving, the installation is convenient, that is, significantly reduce the footprint, but also help reduce costs and promote the widespread use.

When self-filtering welding ball valve is opened and the fluid medium passes through the cavity of the through hole of the ball body, the fluid medium can be filtered by the filter provided by itself. When the ball rotates clockwise by 90 degrees, the ball valve is closed State, play a truncated pipeline fluid medium role.

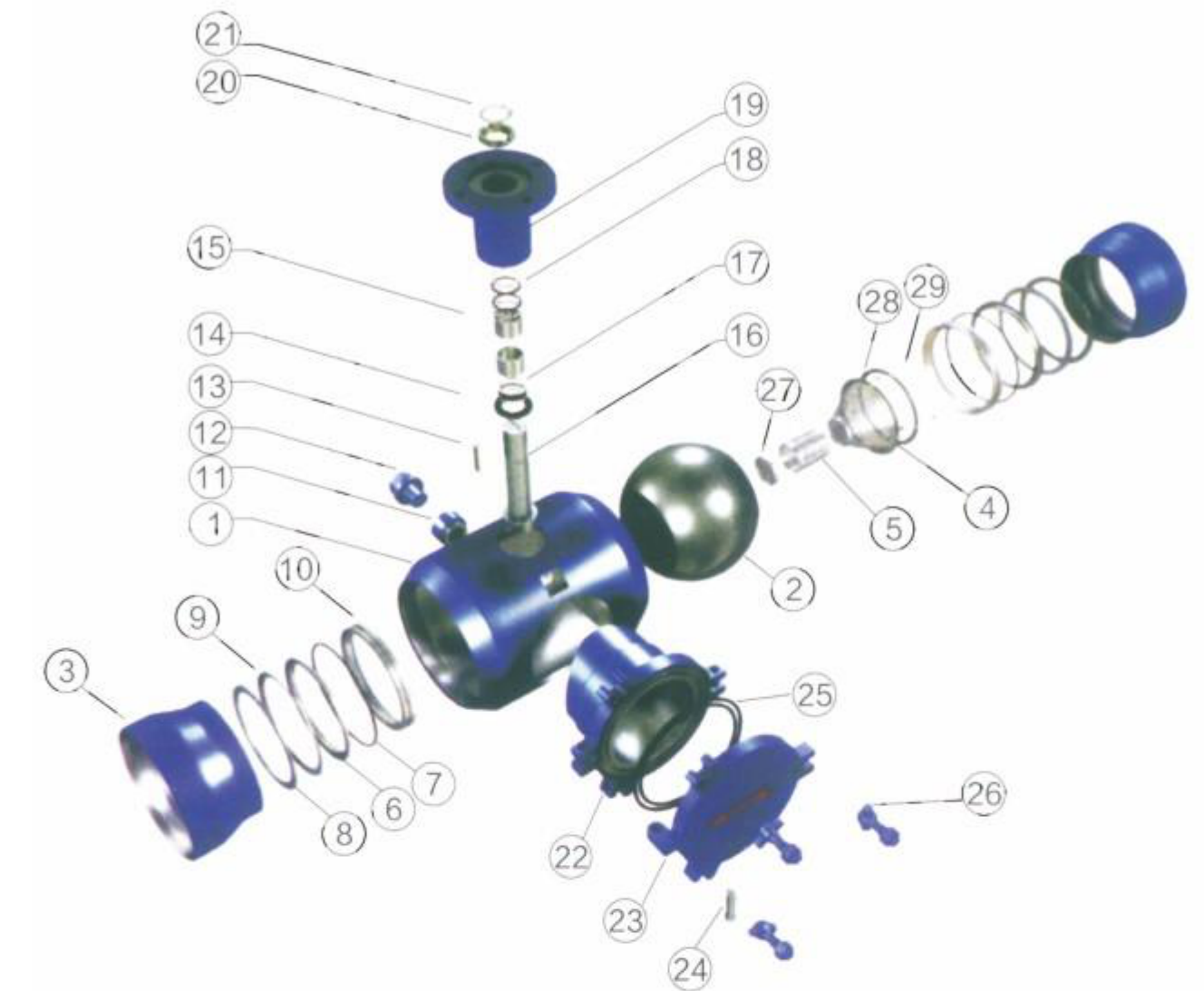
The side wall of the valve body is provided with an intermediate middle flange and a sewage pipe connected with a cleaning water pipe, which can be conveniently and quickly cleaned by opening the middle flange cover and the sewage pipe. It is also possible to set an electric valve or a pneumatic valve on the sewage pipe in order to automatically flush the filter. If the filter is damaged, open the middle flange cover can be replaced.



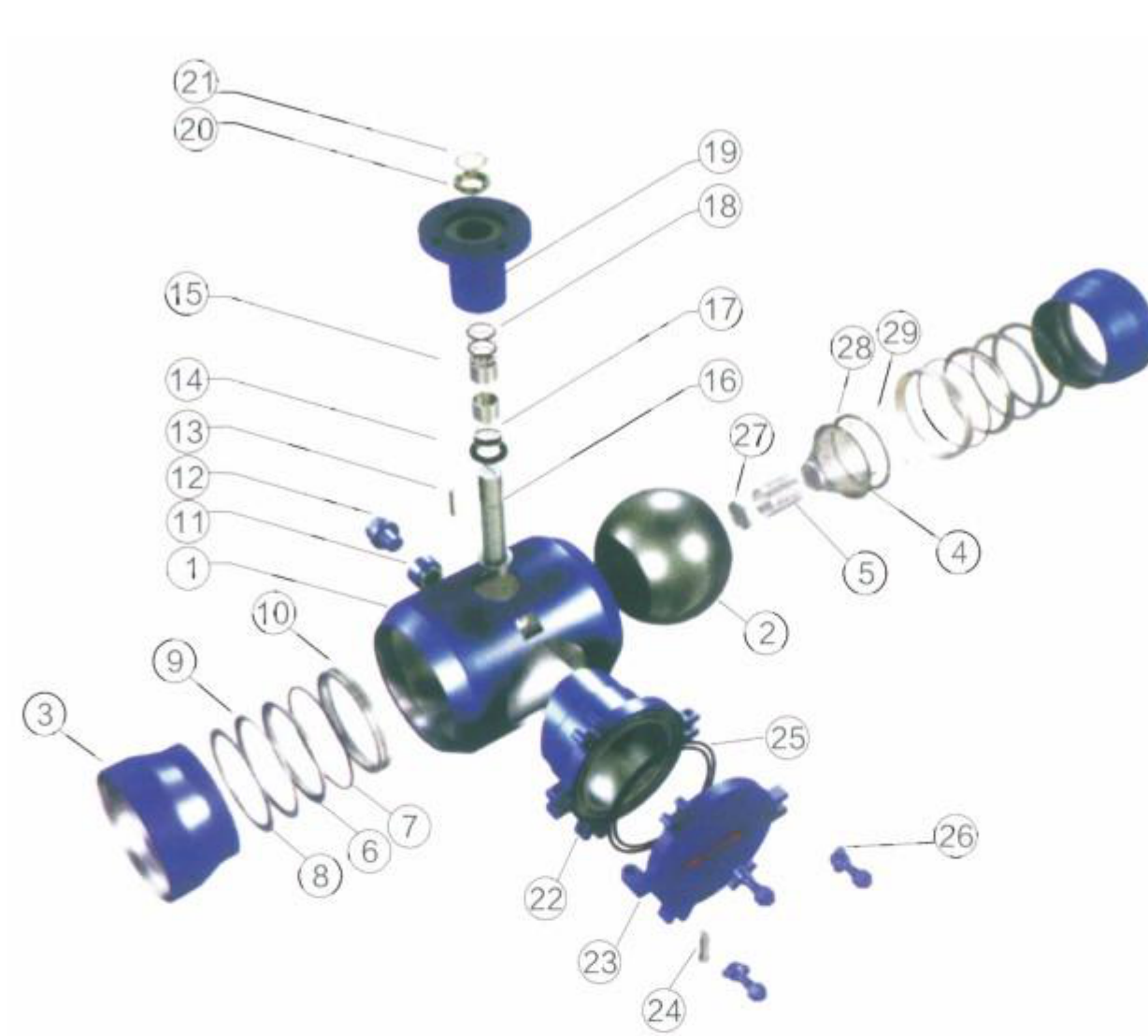
Cleaning process



- ①整体式焊接球阀，不会有外部泄露现象。
- ②阀座由碳化特氟龙密封环及弹簧构成，对压力和温度变化适应能力强，在标注压力和温度范围内不会产生任何泄露。
- ③球体的加工过程由先进的计算机检测仪跟踪检测，球体的加工密度高。
- ④密封环采用含量20%Carbon碳素C-PTFE材质，保证完全无泄漏。
- ⑤与同类相同规格产品相比，阀体小，重量轻，外型美观，使用寿命长。
- ⑥阀体，球体及边阀体均采用有缝钢管压制成型。阀杆处采用双道“O型圈”密封，并且具有防吹出功能。
- ⑦过滤网与球体合为一体，过滤球阀链接在管道中本身有过滤功能，可以代替过滤器进行使用，起到一阀多用的效果，节省了管道安装空间及运营成本，可以阻拦直径大于4.5mm的杂质通过。
- ⑧滤网采用坡型口设计，保障阀门在阻断杂质颗粒情况下介质正常通过，阀门正常工作。采用泄压阀设计，可调节阀体内外压差，提高阀门安全性能，同时可采用螺纹球阀代替泄压阀，操作更省时、省力、方便、灵活。

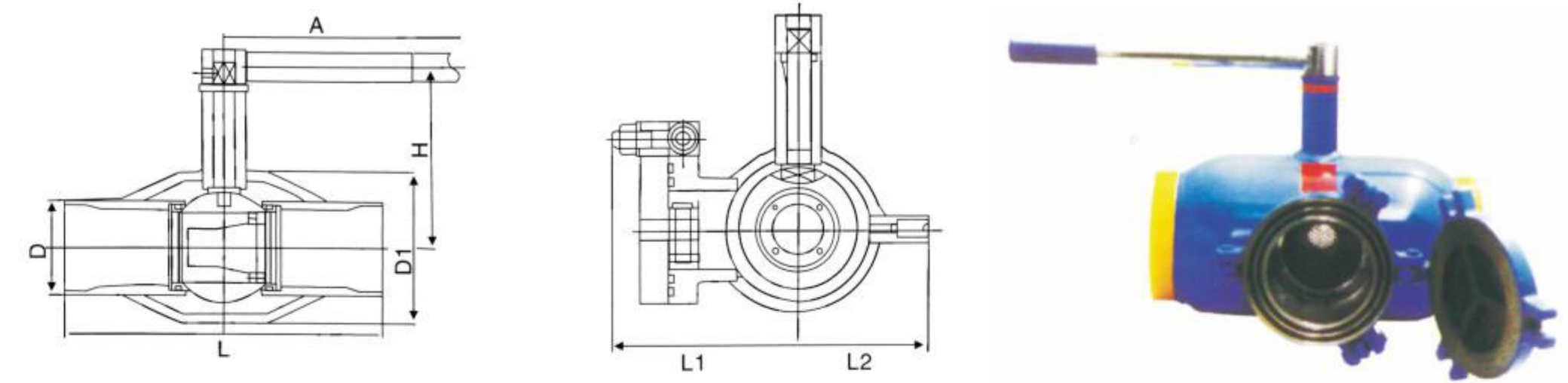


1	阀体	9	蝶簧	16	阀杆	23	盖板
2	球体	10	阀座	17	垫片	24	销轴
3	边阀体	11	泄压阀座	18	O形圈	25	o形圈
4	锥体网	12	泄压阀	19	阀杆套	26	活结螺栓
5	筒网	13	键	20	压环	27	底网
6	阀座环	14	挡片	21	开口销	28	固定圈
7	O形圈	15	阀杆滑套	22	中法兰	29	六角螺钉
8	垫片						



- ①Integral welded ball valve, there will be no external leakage phenomenon.
- ②The seat is made of carbonized Teflon sealing ring and spring. It has strong adaptability to pressure and temperature changes and will not leak any leakage in the marked pressure and temperature range.
- ③Sphere processing by the advanced computer detector tracking test, the processing of high-density ball
- ④The sealing ring is made of 20% Carbon Carbon C-PTFE with no leakage.
- ⑤Compared with the same specifications of similar products, small body, light weight, good looks, long service life.
- ⑥Valve body, ball and side valve body are made of seam steel pipe. Stem at the double "O-ring" seal, and has anti-blowing function.
- ⑦Filter and ball into one, the filter ball valve link in the pipeline itself has the filter function, you can replace the filter to use, play a multi-purpose valve effect, saving pipe installation space and operating costs, can block the diameter of more than 4.5mm Impurities passed.
- ⑧Filter slope type port design to protect the valve in the case of blocking the normal passage of impurities particles, the valve work properly. The use of pressure relief valve design can be adjusted inside and outside the valve body pressure difference to improve the safety performance of the valve at the same time can be used on behalf of the pressure relief valve ball valve, the operation more time-saving, labor-saving, convenient and flexible.

1	Body	9	Butterfly Spring	16	Stem	23	Cover
2	Ball	10	Seat	17	Gasket	24	Pin
3	Side Body	11	Relief Valve Seat	18	O Ring	25	O Ring
4	Cone Net	12	Relief Valve	19	Stem Sleeve	26	Eyebolt
5	Tube Net	13	Key	20	Pressure Ring	27	Bottom Net
6	Seat Ring	14	Baffle	21	Cotter Pin	28	Fixed Ring
7	O Ring	15	Stem Sleeve	22	Bonnet Flange	29	Screw
8	Gasket						

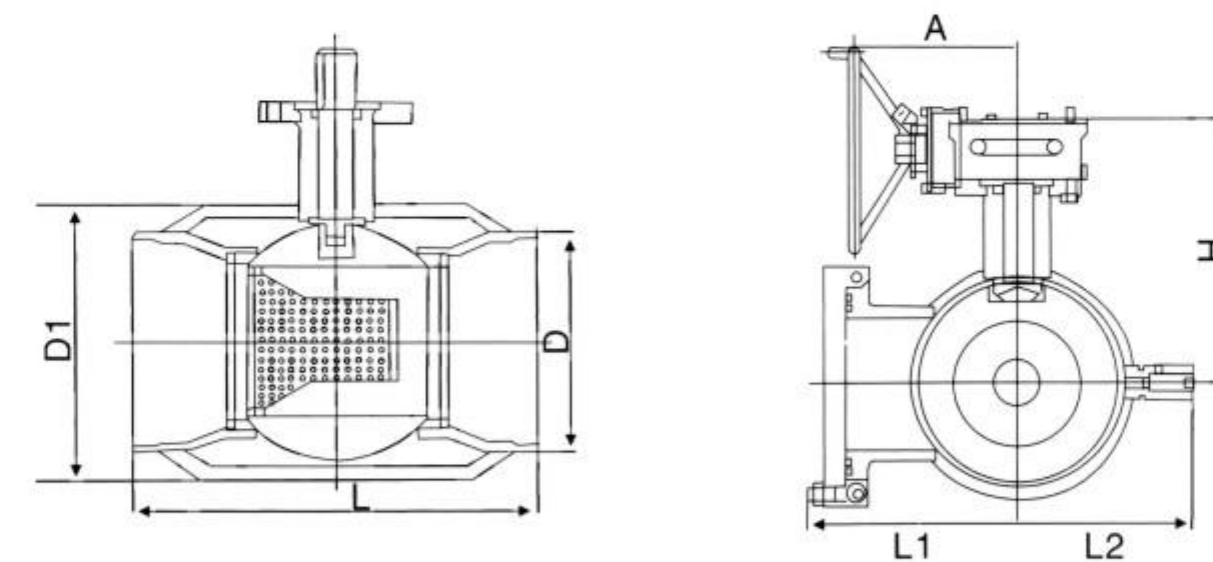


手柄传动 Handle transmission

PN25

DA	A	L	L1	L2	D		D1	H
					GOST	EN		
DN65	250	300	176	114	76.3	76.1	108	186
DN80	280	300	204	127	89.0	88.9	133	210
DN100	280	325	204	127	108	114.3	159	210
DN125	420	325	210	135	133	139.7	193	214
DN150	570	350	245	155	159	168.3	219	220

注：订货时请主要尺寸。 Note: please take the main size for order.

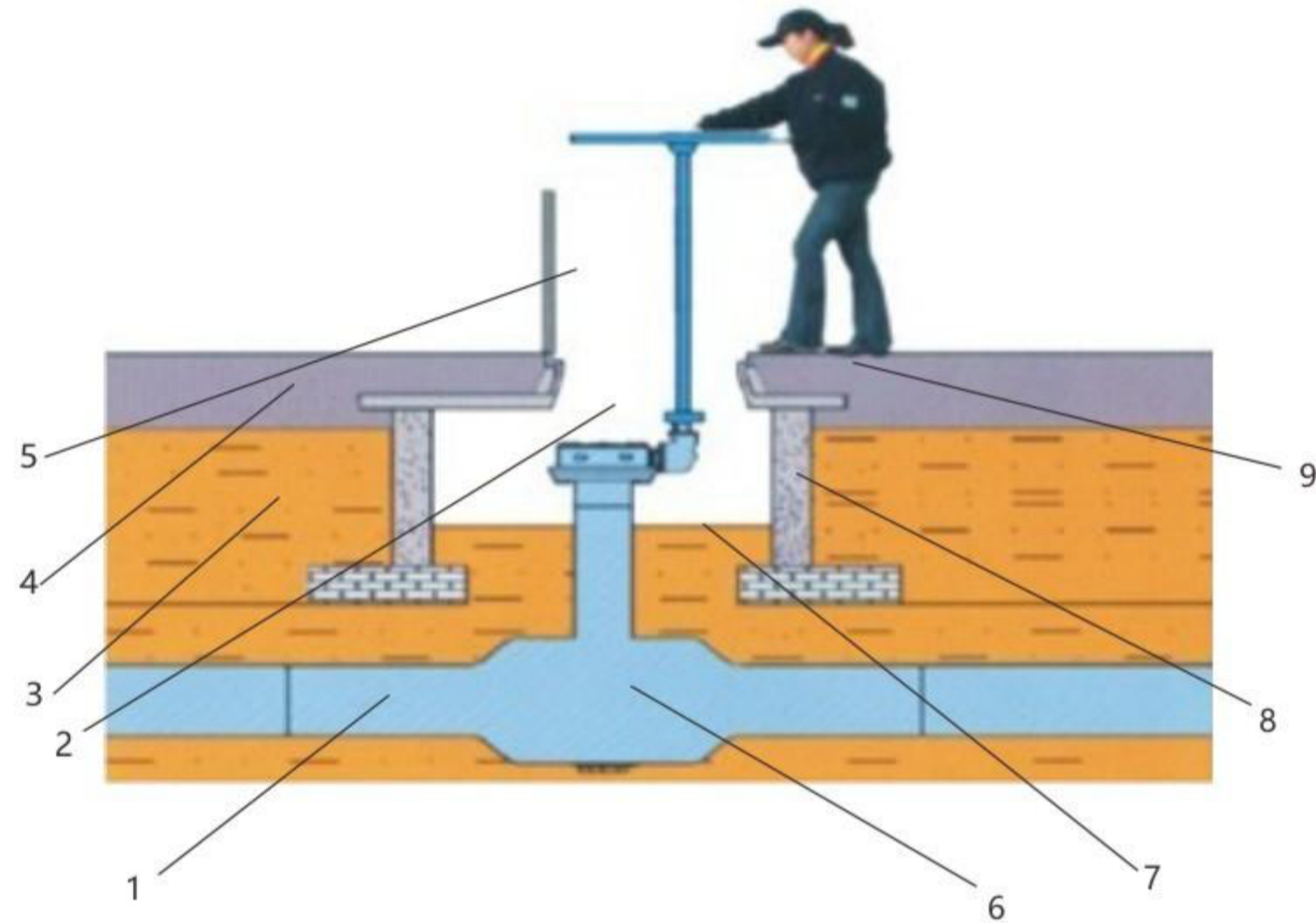


齿轮传动 Gear transmission

PN25

DA	A	L	L1	L2	D		D1	H
					GOST	EN		
DN200	198	400	270	178	219.0	219.1	273	318
DN250	25	520	332	222	273.0	273.1	351	395
DN300	245	635	407	282	323.0	323.0	425	467
DN350	319	686	455	455	377.0	355.6	508	540

注：订货时请主要尺寸。 Note: please take the main size for order.



现代城市里面的车辆及行人通行密集，道路的情况也非常复杂。所以在施工和维护煤气供应管道和供热供应管道时对其施工时间和施工安全的要求非常高。

这次采用全焊接球阀，可以直接深埋地下。利用最新工程技术方法施工能最大化减少阀门控制所占空间，并且大大节省施工费用及工程时间。而且能预防煤气爆炸的危险，全焊接球阀是非常安全的阀门。

直埋式球阀传动时，操作者不需要进入地下，只需在地上进行传动操作即可，非常安全方便。

Vehicle and pedestrians are crowded in modern cities, and roads are complicated. So it is demanding for the construction time and construction safety during construction and maintenance for gas supply pipes and heating supply pipes.

Fully welded ball valve can be directly buried under ground. Engineering technological methodology can reduce space for valve controlling to the most extent and reduce the construction cost and time extremely.

At the same time, the valve can prevent gas explosion.

Thus fully welded ball valves are very safe to use.

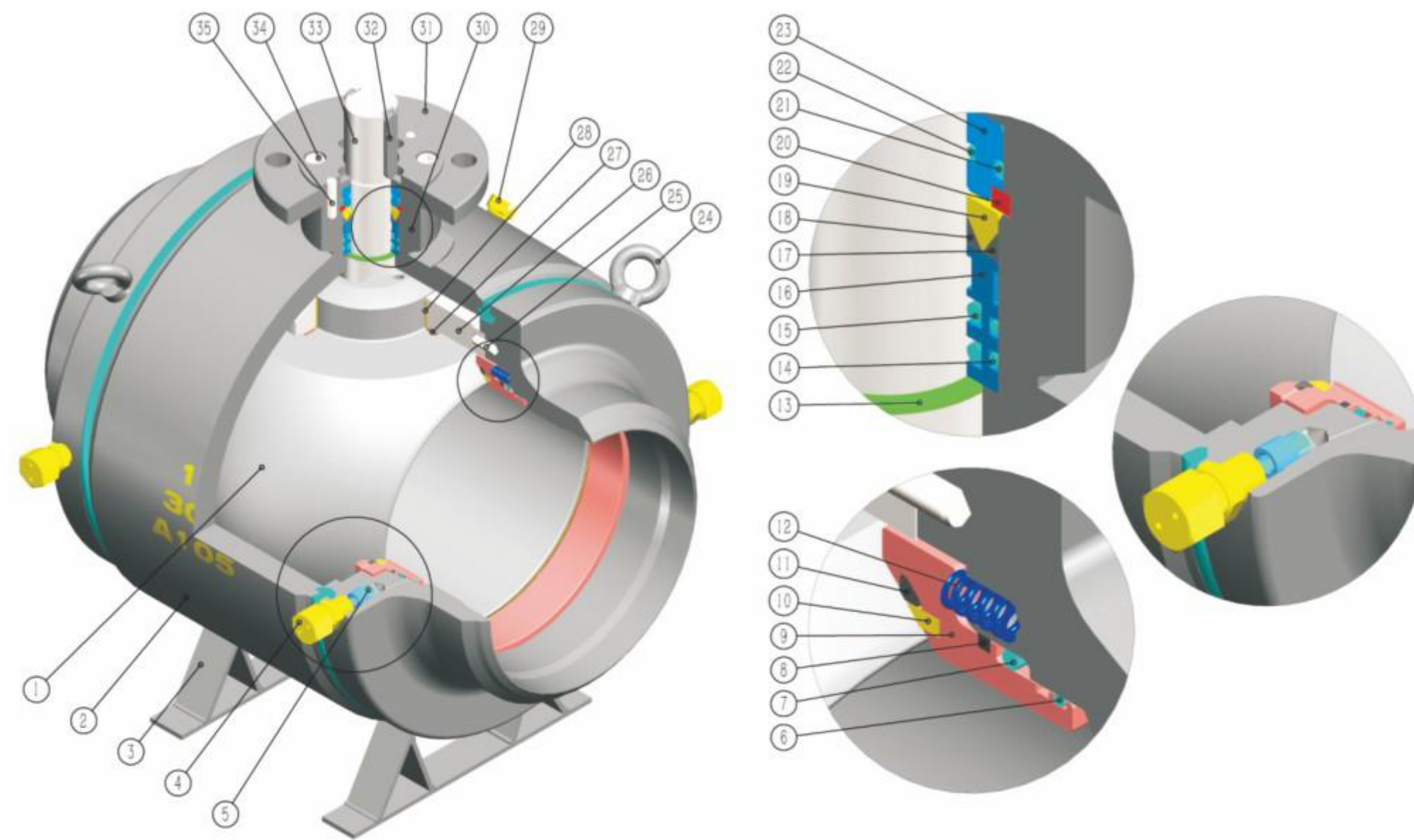
When drive the under ground ball valve, operators can just drive it above ground instead of under ground, which is safe and convenient.

序号	1	2	3	4	5	6	7	8	9
零件名称 Part name	埋地管线 Underground pipeline	阀室 Valve chamber	埋地介质 Underground medium	水泥浇筑面 Cement casting area	井盖井圈 Manhole cover and manhole ring	阀门 Valve chamber	放散管 Diffuse pipe	砖墙 Brick wall	路面 Road surface

普通阀门其设计一个阀门井的费用远远高于阀门本身的价格

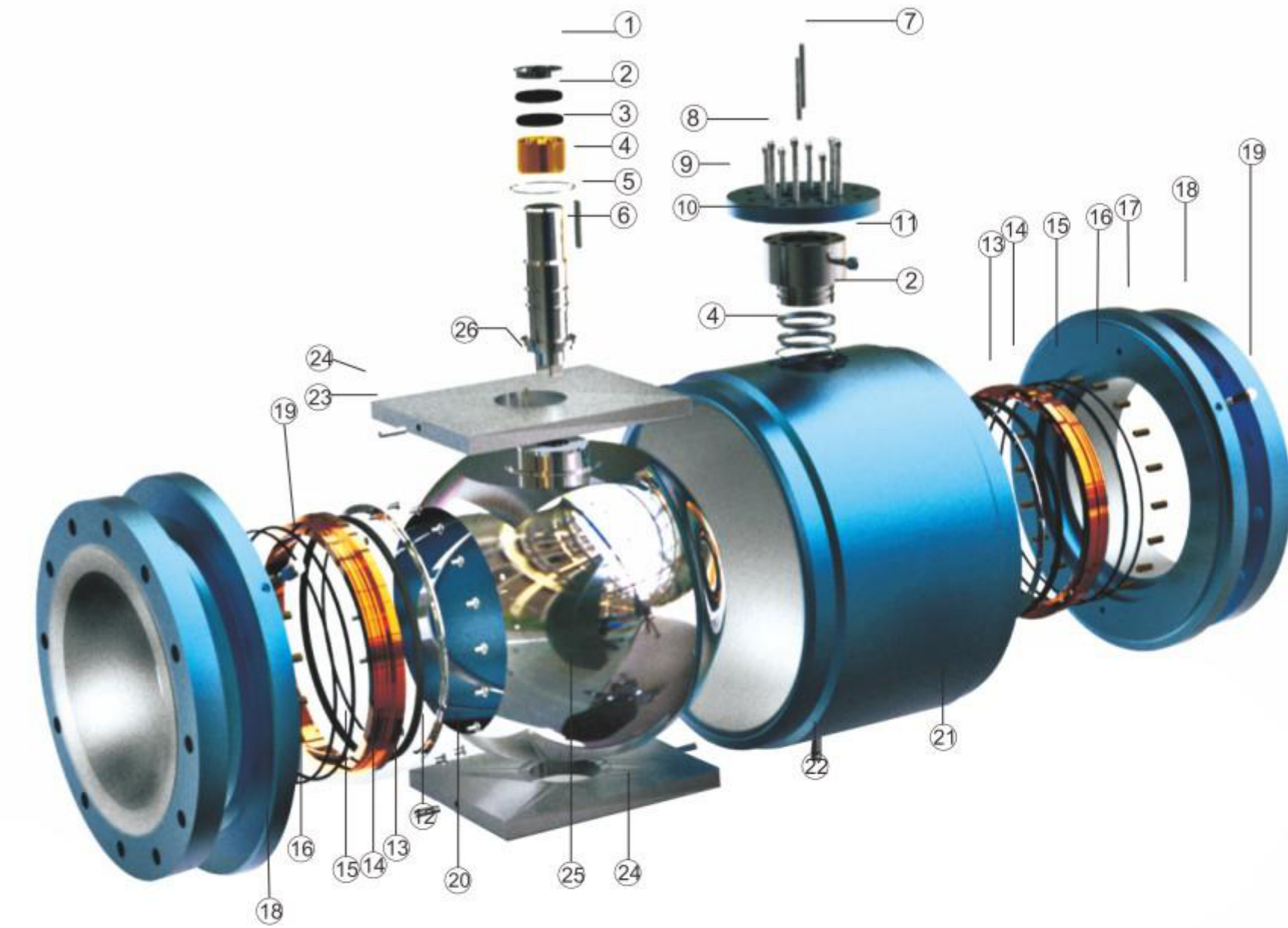
The cost for general valves valve well of general valves is much more than the valve itself





主要部件名称Main part name

1	球体Ball	13	止推垫片Thrust bearing	25	圆柱销Pin
2	阀体Body	14	O型圈O-ring	26	支座Ball support
3	支架Yoke	15	O型圈O-ring	27	平面轴承Plane bearing
4	注脂阀Seat injection valve	16	密封环Sealing ring	28	滑动轴承Slide bearing
5	单向阀Check valve	17	石墨填料Graphite packing	29	放空阀Vent valve
6	O型圈O-ring	18	石墨填料Graphite packing	30	前盖Gover
7	O型圈O-ring	19	垫环Backing rings	31	接盘Connecting flange
8	石墨防火圈Graphite fire prevention ring	20	四开环Four open loop	32	平键Key
9	阀座支承圈Seat support ring	21	O型圈O-ring	33	阀杆Stem
10	阀座圈 Seat ring	22	O型圈O-ring	34	内六角螺钉Hexagon screw
11	阀座 Seat	23	压盖Gland	35	定位销Lock pin
12	弹簧Spring	24	吊耳Lifting lug		



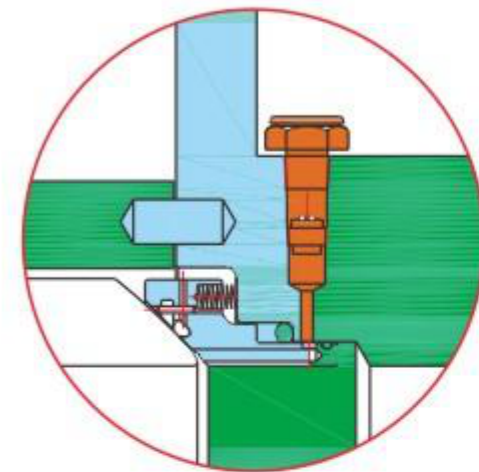
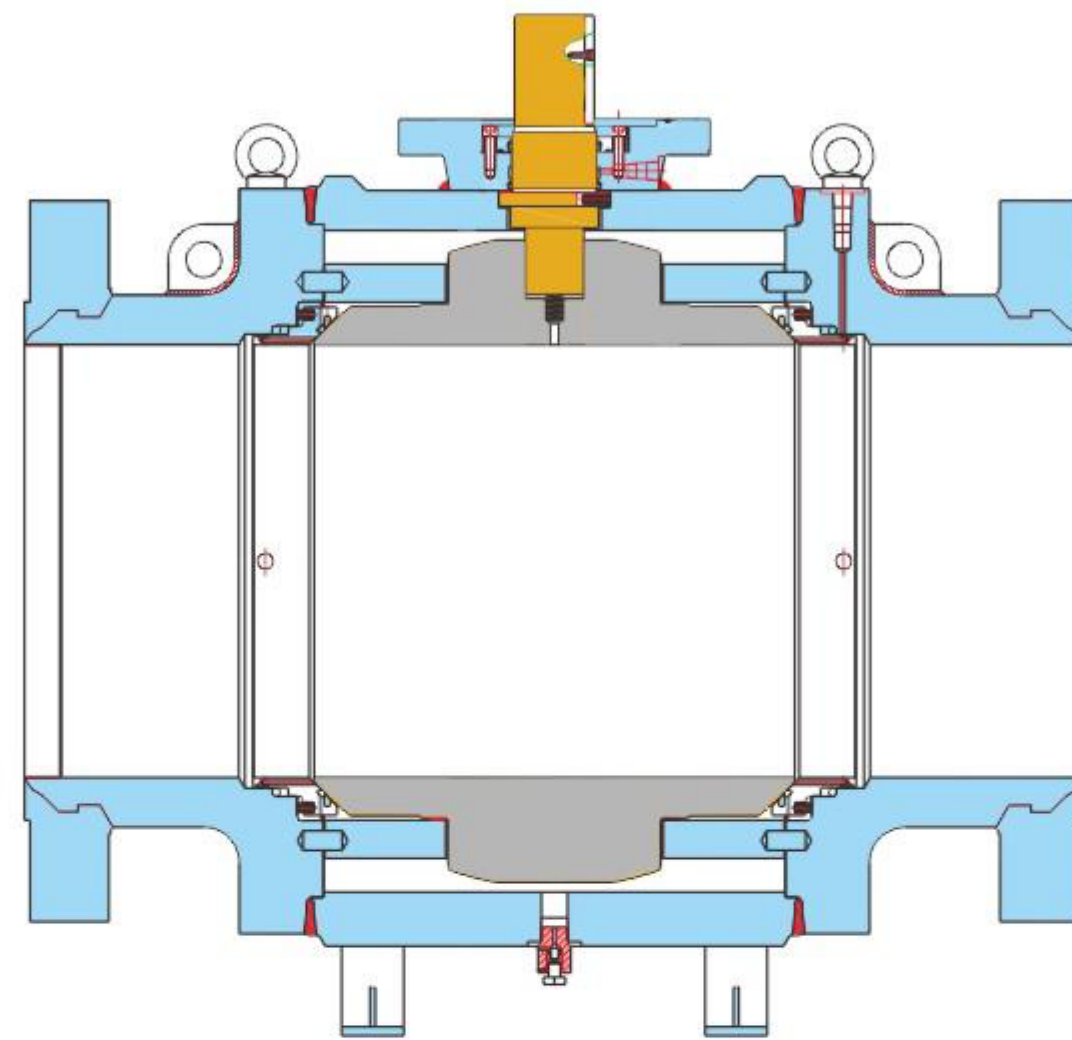
主要部件名称Main part name

1	Stem gasket阀杆填料	10	Gland压盖	19	Seat injection阀座注脂
2	Stem O-ring阀杆O型圈	11	Stem injection阀杆注脂阀	20	Screw螺丝
3	Stem bearing阀杆轴承	12	Backup ring后阀座环	21	Body阀体
4	Thrust bearing止推轴承	13	Seat insert内嵌阀座	22	Drain plug排污阀
5	Pin销钉	14	Seat ring支撑圈	23	Block pin定位销
6	Stem阀杆	15	Seat O-ring阀座O型圈	24	Trunnion block支撑板
7	Alignment bearing滑动轴承	16	Spring弹簧	25	Ball球体
8	Cap screw压盖螺栓	17	Seam line焊缝线	26	Antistatic spring防静电弹簧
9	Adapter plate限位块	18	Cap阀盖		

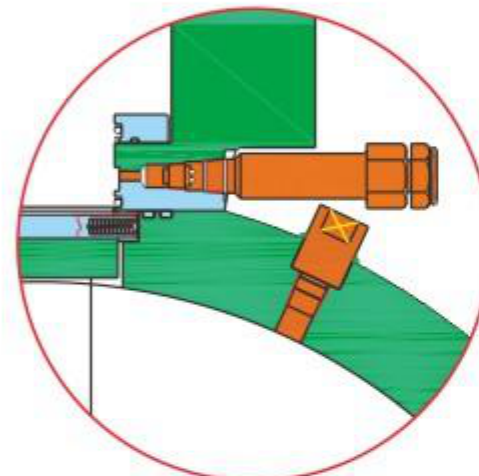
常用密封件适用温度(The temperature range of seal material)

HNBR:-45°C~+175°C VITON:-40°C~+220°C NBR:-29°C~+130°C
 VITON(FPM):-20°C~+220°C PTFE:-200°C~+240°C NYLON1 2G:-50°C~+120°C

装配图 Assembly drawing



Seat Sealant Injection



Stem Sealant Injection



- | | |
|---|---|
| ● 公称通径(DN): 2" (50mm)~48" (1200mm) | ● Norminal Size(DN):2" (50mm) ~48" (1200mm) |
| ● 压力等级(CLASS): ANSI 150~2500 (PN10~PN420) | ● Pressure Class(CLASS):ANSI 150 up to ANSI 2500(PN1 0~PN420) |
| ● 流量孔: 全通径&缩径 (文丘里型) | ● Bore:full & reduced (Venturi type) |
| ● 连接端: 对焊, 法兰, 对焊&法兰 | ● Ends:butt weld,flanged,butt weld and flanged |

放散阀: 放散阀是管道输送中的一种安全装置, 当管道内部压力超过某一特定值时, 可以通过放散阀排出管道内的一部分介质, 从而达到降低管道内部压力的效果。

Relief valve:Relief valve is a safety device of transported in the pipeline, when the pipeline internal pressure exceeds a certain value, can discharge pipe of a portion of the medium through the valve, so as to reduce the pipeline internal pressure effect

放空阀: 放空阀主要目的是排出阀门中腔的介质, 当需要拆卸阀门或者检查时, 可通过放空阀对中腔进行放空, 从而安全的进入下一步操作。

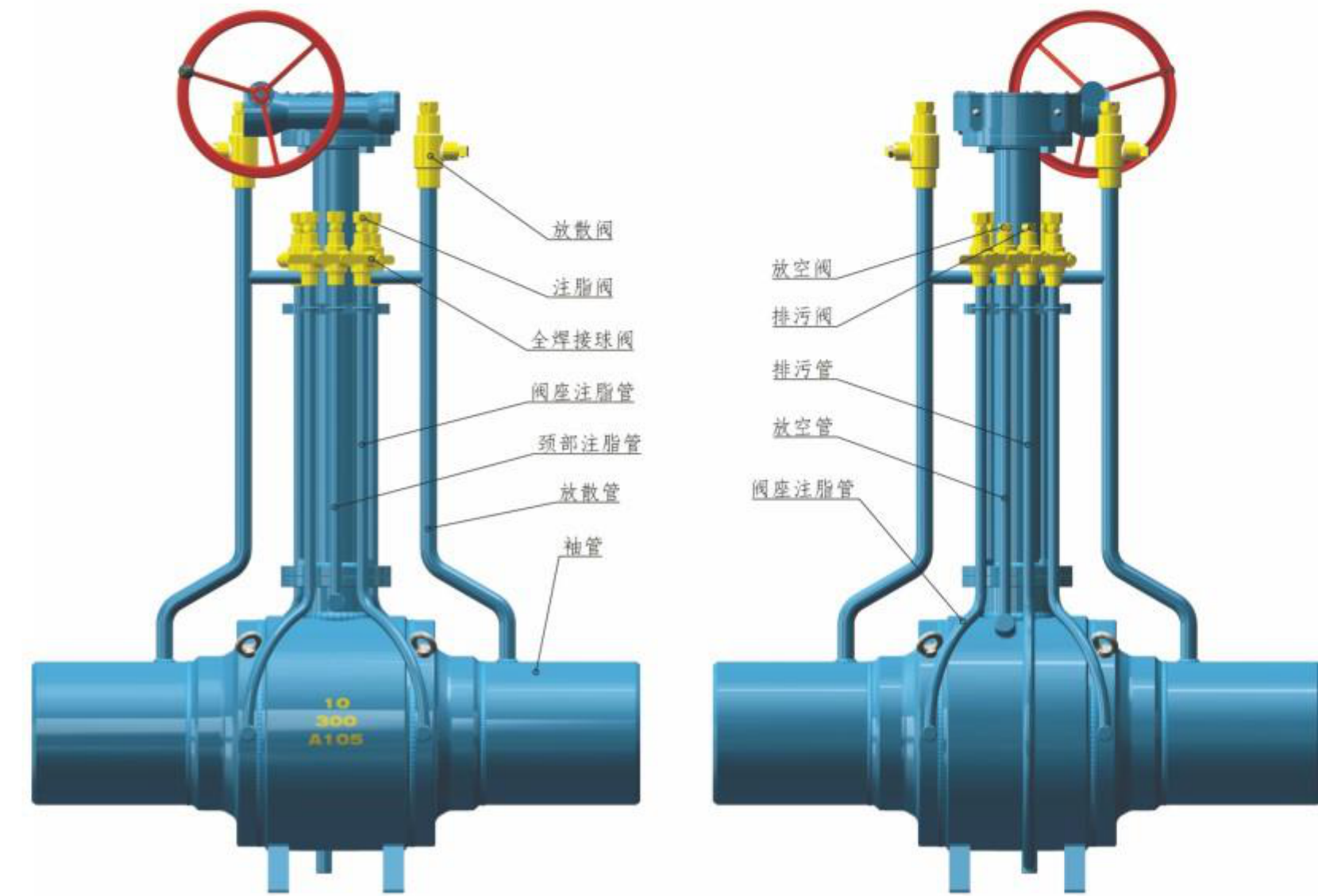
Vent valve:Vent valve is mainly to discharge valve in the cavity of the medium, when the need to remove the valve or check, can through the cavity of the vent valve vent, thus safe to enter the next step

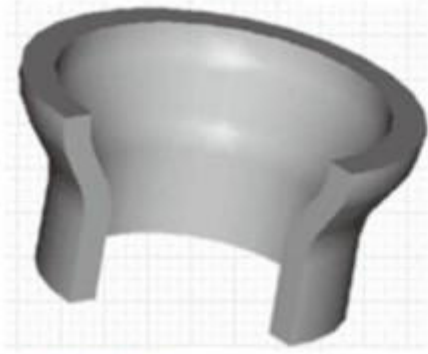
排污阀: 排污阀的主要目的是排出阀门内部的脏物, 当需要清洗阀门内腔时, 打开排污阀, 通过介质自身的压力即可实现排污。

Drain valve:The main purpose of the drain valve is inside the dirt discharge valve, when the need to clean the valve cavity, the drainage valve is opened, the sewage through the pressure medium itself

注脂阀: 当阀门出现泄漏时, 即可通过注脂阀向阀门内部注入密封脂, 实现紧急密封; 注脂阀也可用于对阀门注入润滑脂以起润滑作用。

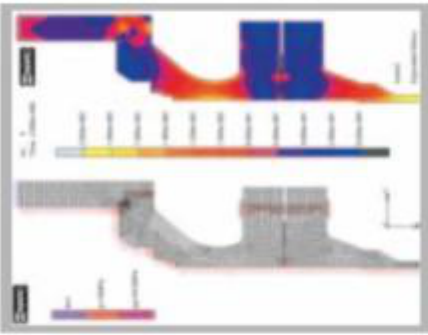
Grease valve:When the leakage occurs when the valve sealing grease, can be injected to the internal valve grease through the valve, to achieve the emergency seal; fat injection valve can also be used for the valve into the grease to lubricate





紧凑的阀体设计 Compact body structure

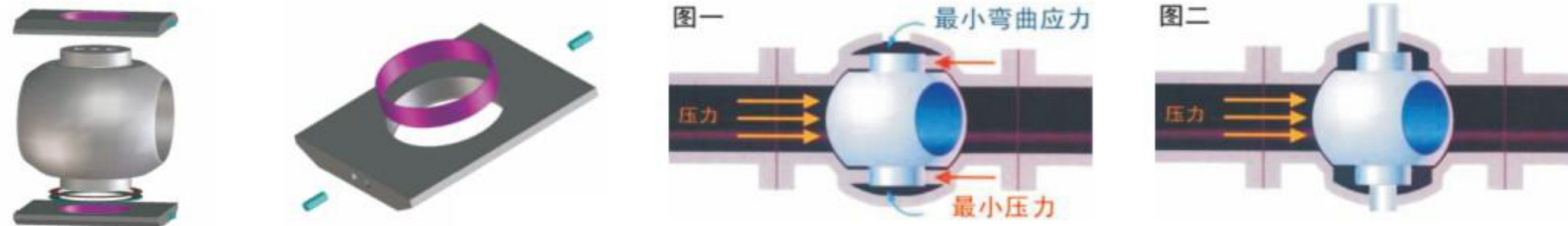
阀体采用高质量的锻造材料，阀体和左右体整体锻造成型，阀门的结构更加紧凑，重量更轻。
The body selects high quality forged material, the body and left body adopts the forged forming, so the valve structure is more compact, lighter



锻造结构 Forged structure

阀门阀体采用锻钢材料，充分保证与相应管道、管件之间的适配性与可焊性，在最高额定工作压力下能保证其有足够的强度和刚度，避免了铸件缩子、缩松等潜在缺陷造成的阀门壳体泄漏，阀门为全焊接球阀，无外漏点，并经过3D有限元分析，具有足够强度，可完全杜绝阀体的泄漏，并足以承受管道的应力。
ball valve selects forged material, it avoids outside leakage of the valve by the material casting.
The forged material can show it high-performance

支承板\支承柱结构 Fixed plates or trunnion structure



球体顶部和底部通过上下支承板或阀杆和支承柱支撑，将球体精确地固定在球阀的中心，这样能实现完全的密封和精确的动作。采用支承板固定时介质作用在球体上的力通过支承板被分担到左右阀体上，使阀杆不承受介质力产生的弯矩，而只是在开关球阀时转动球体所需扭矩球体的轴向载荷经较大的自润滑滑动轴承传递给阀体，因而耐磨损，且操作灵活，扭矩低。

The top and bottom of the ball is supported by upper and lower fixed plates or stem and trunion, and the ball is accurately placed in the center of the ball valve to achieve complete seals and precise movements. When plate adopted, the force exerted by the medium to the ball is distributed via the plate to the left and right bodies, so that the stem does not bear the bending moment from the medium, but only the torque from the ball rotation during driving the valve. The axial load of ball is transmitted to body by means of two large self-lubricated bearings, resulting in wear resistance, flexibility and low torque.

阀杆结构 Stem structure

阀杆密封 Stem seal

阀杆密封通过上阀盖中的三层密封圈(两层O型圈+一层填料)实现密封,密封圈及填料可实现带压在线更换。

Stem seal integrity is achieved by the use of three rings (or two o-rings and a graphite gasket). Upper o-ring (graphite gasket) can be replaced with the valve in line and under pressure.

防爆喷射阀杆 Anti-blowout stem

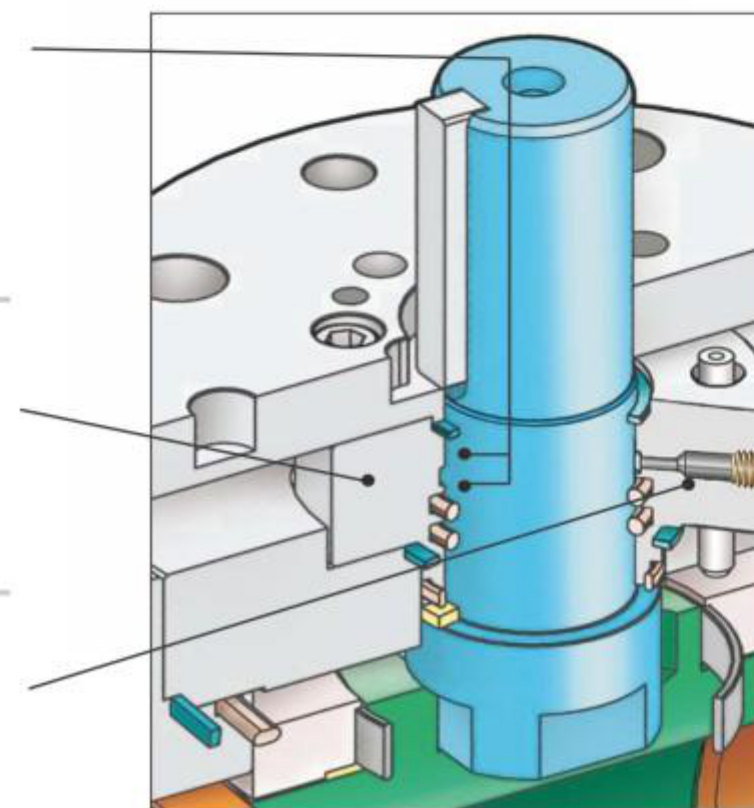
阀杆头部设计为带凸台的结构,和阀盖顶部之间留有间隙,保证阀杆受到的压力抵消在阀体平台上。

The stem head is designed to convex form. When the cavity pressure increase abnormally.

阀杆注脂(选配) Seat in jection

6"及以上口径球阀可选配阀杆注脂功能:阀杆出现泄漏时,可注入密封脂用于紧急密封。

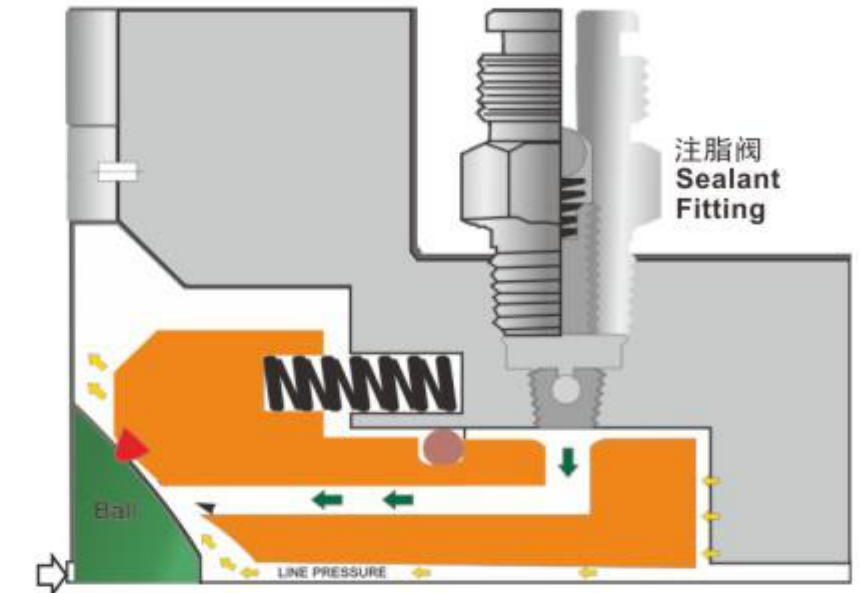
The valve is supplied seat injection for 6" and larger.



阀座紧急密封(选配) Emergency seat sealing

当阀座密封面有所损伤，影响到密封时，可通过注入密封脂用于紧急密封，这由支承圈和阀体上的注脂槽组成，通过阀体上的单向止回阀注脂实现2次密封。该功能为选配功能，此功能适用于球阀口径 $\geq 6"$ 。

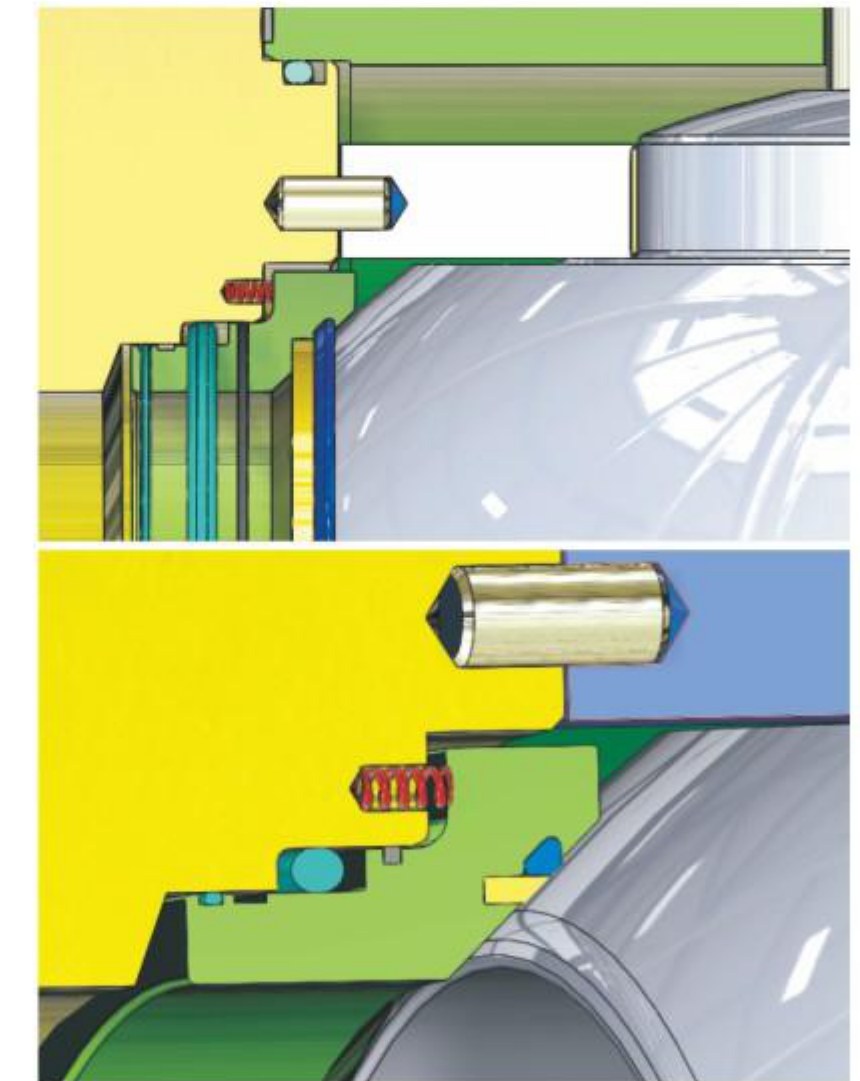
In the event when an excess of impurities in fluid may have a harmful effect on seat sealing ring, emergency sealing can be reached by the internal check valve. If need, it can be chosen for the ball valve $\geq 6"$



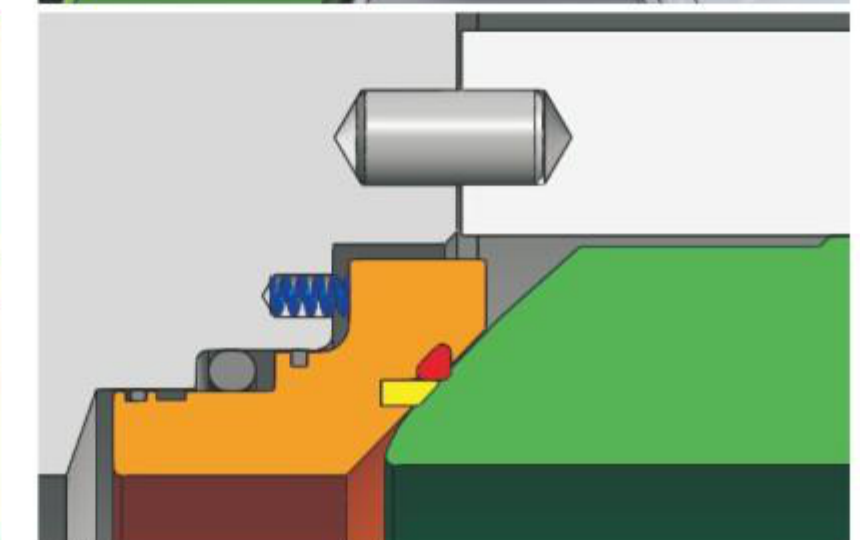
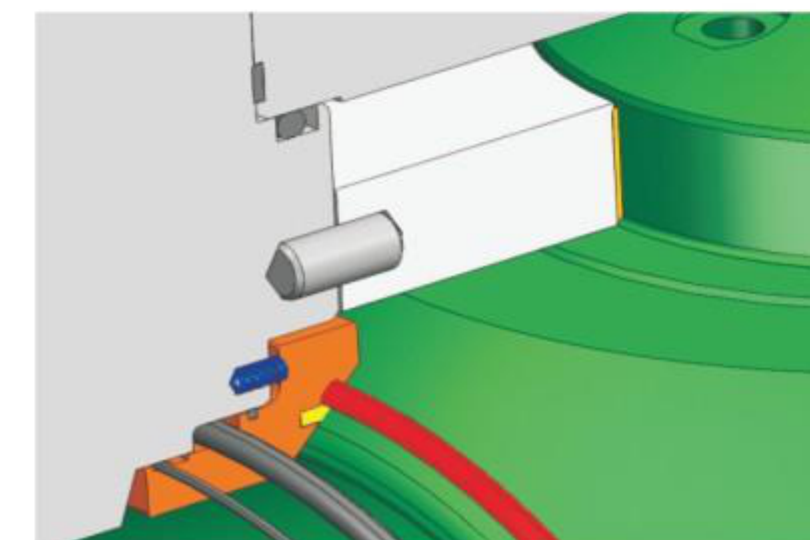
阀座紧急密封
Emergency Seat Sealing

阀门采用弹性加载阀座结构，阀座密封由软密封材料与金属支承圈组合而成，阀座支承圈是轴向浮动的：低压时，阀座通过弹簧预压实现低压密封；当管道介质压力升高时，利用阀座活塞效应，依靠介质自身的压力实现高压密封。该结构可借助金属对金属的辅助密封实现失火状态下的密封。

Valve put to use the spring-loaded seat structure, its formed by soft sealing material and metal retainer. The retainer floats axially. Low pressure sealing of valve is reached by pre-pressure of spring, the high pressure sealing is reached through the piston effect, by the pressure of transmitter substance. when under fire condition, it be sealed by the metal to metal assist structure



此类阀座结构仅适用于口径 $\geq 2"$ 的球阀
(The seat structure of ball valve for size 2" and larger only)



单活塞效应SINGLE PISTON EFFECT 自泄压阀座(SELF-RELIEVING SEATS)

管道上游或下游带压产生的推力将阀座推向球体并紧密贴合，形成密封。
The pressure from up and down make a thrust pushes the seat to the ball

上下游阀座均为单活塞阀座时上游密封，下游自泄压。当阀处于全开或全关时，中腔升压后将自动泄放，也被称为自泄压阀座。
If both up and down seats are single piston effect that the up seat is sealed and the down seat is self-relieving

阀腔中部进压时产生的推力将阀座推离球体，排泄压力。
The pressure from the body cavity make a thrust pushes the seat to the ball.

双活塞效应DOUBLE PISTON EFFECT

管道上游或下游带压产生的推力以及中腔带压产生的推力都将阀座推向球体并紧密贴合，形成密封。
The pressure from up and down or in the body,make a thrust pushes the seat to the ball.

上下游阀座均为双活塞阀座时上下游均可密封。可安装放空阀对中腔压力进行排泄。为了实现上下游同时密封又能在中腔超压时实现管道内部泄压，则可采用上游单活塞，下游双活塞密封结构，此类结构有安装方向限制。

If both up and down seats are double piston effects that all of the seats can seal,and it can be relieved by vent valve.In order to realize the up and down sealing and release the pressure in the pipe,the up sealing must be the single piston and the down sealing must be the double piston,the structure have the right direction

加长阀杆EXTENSION STEM

对于安装在地下的阀门，可根据需要使用加长杆，加长长度由用户指定；排污阀、放空阀、注脂阀等附属管件均引至阀顶部，便于操作。阀门加高的高度有不同的描述，在订货时须确认清楚。
For the underground installed valve,the extension is specified by the customer if need, And for the convenience of operation, the drain plug,sealant injection,vent valve are all be extended to the top of valve.The extension of valve is described in each way,it must be check before ordering.

连接配管TRANSITION PUPS

端部为对焊连接形式的阀门，考虑到现场焊接的可操作性，通常在阀门与管道之间连接一段过渡管，其材质，尺寸及长度符合用户及管线要求，并确保现场焊接时不会影响到阀门密封。
The welded ball valve always insert the transition pups between the valve and pipeline to make sure that welding in the field will not be harmed the valve seal.The transition length is to be specified by the customer,including wall thickness and material.

防静电设计ANTISTATIC DESIGN

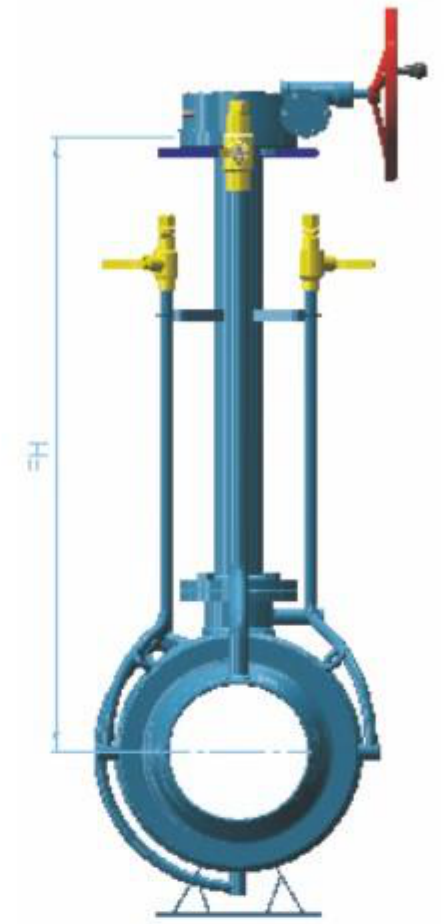
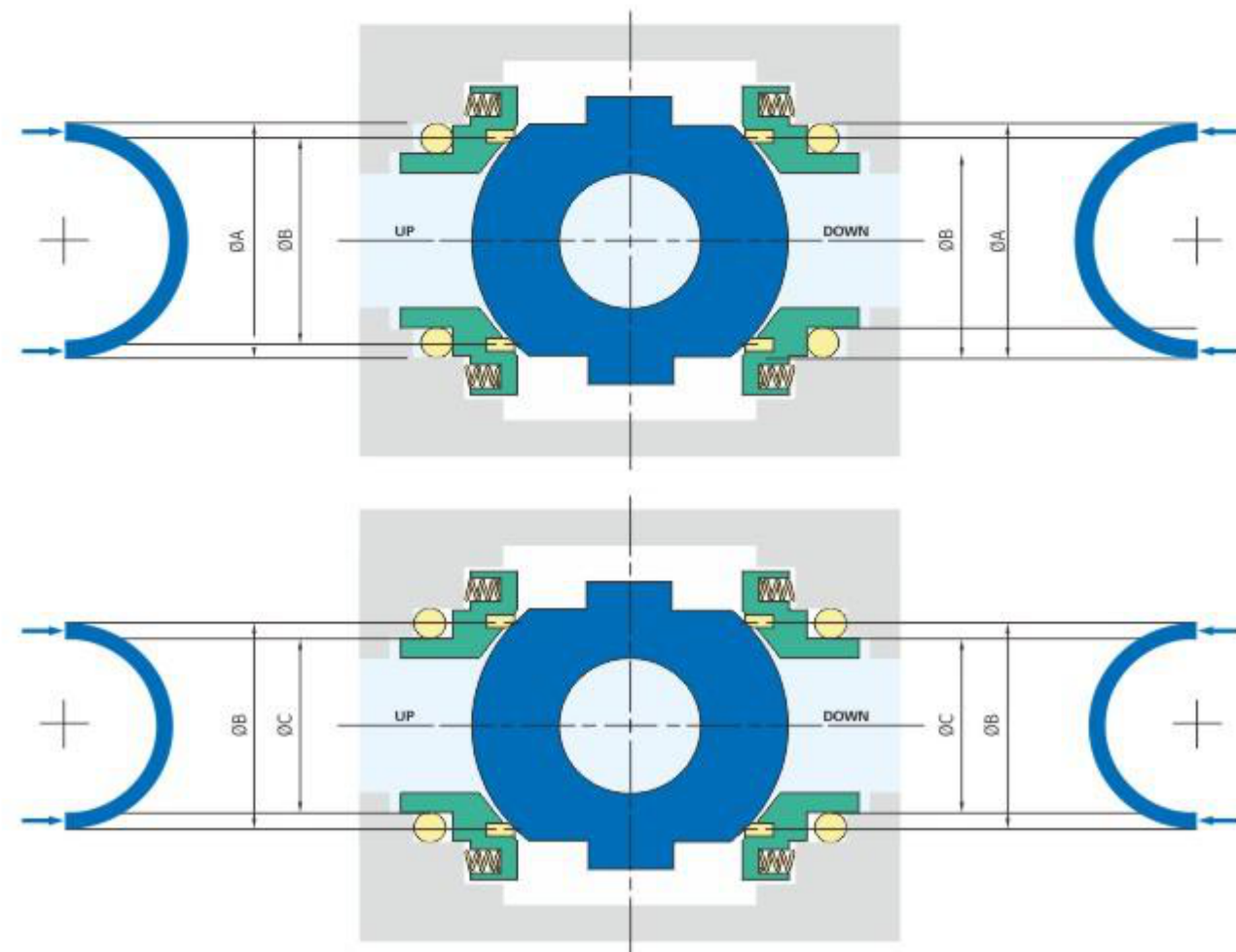
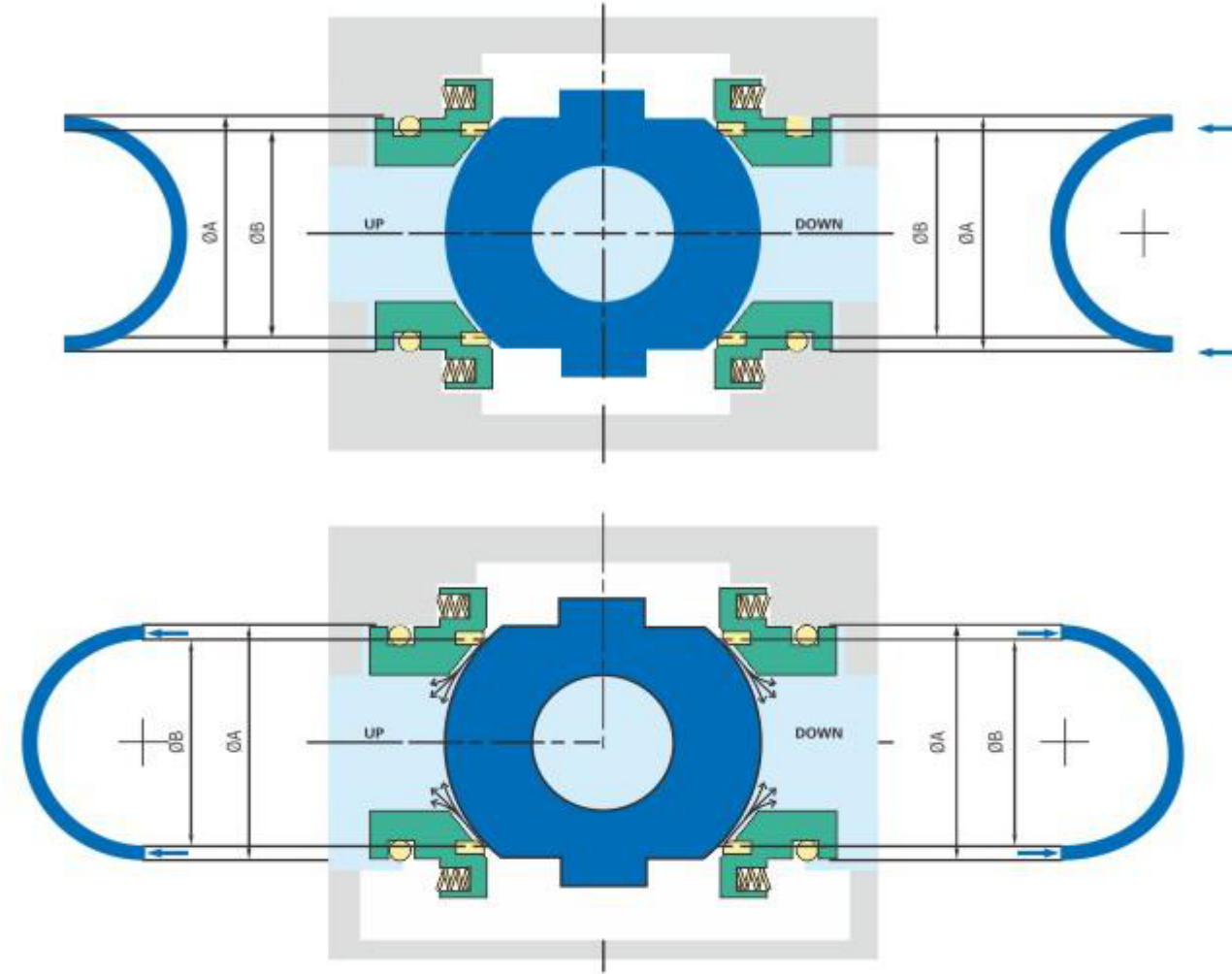
所有内部金属件与球阀阀体均采用导体连接，可安全导出静电，符合BS5351的要求。
All internal metal components are conductively connected with ball valve body. The design is according to BS5351

防火设计FIREPROOF DESIGN

当非金属材料制作的阀座密封圈、O型圈，阀杆O型圈在高温下损坏以后，可借助特别设计的金属对金属的辅助密封结构或柔性石墨结构，有效的控制阀门的外漏和内漏。防火结构符合AP1607、API 6FA、BS6755及JB/T 6899等标准规范。
When the seat ring and stem O-ring is damaged in high temperature.It can control the outside and inside leakage effectively.Fireproof structure is based on API607、API 6FA、BS6755及JB/T 6899.

各种操作方式VARIOUS DRIVING TYPES

兴锋可提供各种类型的阀门执行机构：手动、气动、电动、液动、气液联动。具体型号根据阀门力矩选型。
Xingfeng can offer all the type of actuators and manufactures,manual,electrical, pneumatic and pneumatic-hydraulic.



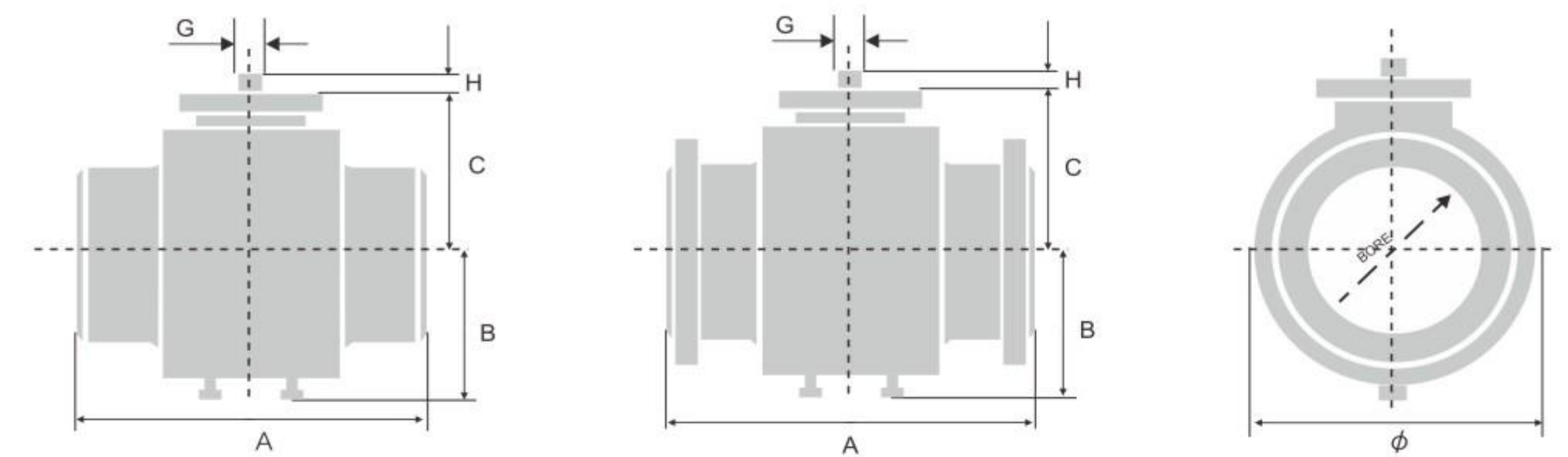
NO.	PART NAME 部件名称	NON SOUR 非酸性		SOUR 酸性		CORROSION RESISTANT 抗腐蚀
		TEMPERATURE RANGE(温度范围)				
		T=-45°Cup to+120°C		T=-29°Cup to+220°C		T=-200°Cup to+200°C
1	BODY 阀体	ASTM A350 LF2	ASTM A105	ASTM A350 LF2	ASTM A105	ASTM A182 F316 OR 316L
2	END ADAPTER 左右体	ASTM A350 LF2 OR A694 (3)	ASTM A105 OR A694 (3)	ASTM A350 LF2 OR A694 (3)	ASTM A105 OR A694 (3)	ASTM A182 F316 OR 316L
3	BALL 球体	ASTM A350 LF2 ENP (4)		ASTM A350 LF2 ENP (4)		ASTM A182 F316(5)
4	SEAT RING 支承圈	ASTM A350 LF2 ENP (4)	ASTM A105 ENP (4)	ASTM A350 LF2 ENP (4)	ASTM A105 ENP (4)	ASTM A182 F316 OR A564 TYPE 630 (17-PH) (5)
5	SEAT INSERT(6) 阀座	HNBR or VitonGF (7) (8) (9)	PTFE OR Nylon OR Kel-F	PTFE OR Nylon OR Kel-F		PTFE OR Nylon OR Kel-F
6	SEAL(6) 密封件	STD 标准	HNBR or VitonGF(9)	Nitrile or Viton (9)	HNBR or VitonGF (9)	PTFE + Inconel x 750 (10)
		FIRE SAFE 防火	VitonGF (9)	Viton (9)	VitonGF (9)	
7	SPRING 弹簧	ASTM A316	TYPE 302	Inconel x 750		ASTM A316 TYPE 302
8	STEM 阀杆	AISI4140 ENP(4) OR AISI4340 ENP(4)		ASTM A564 Type 630(17-4PH)		ASTM A316 TYPE 302
9	端法兰 ADAPTER FLANGE	ASTM A350 LF2	ASTM A105	ASTM A350 LF2	ASTM A105	ASTM A182 F304
10	BOLT 螺栓	ASTM A320 L7	ASTM B193 B7	ASTM A320 L7M	ASTM B192 B7M	ASTM A320 B8
11	NUT 螺母	ASTM A194 Gr4	ASTM A194 2H	ASTM A194 Gr2M		ASTM A194 Gr8

兴锋可按用户要求提供其他材质部件。 XF can make them at customer's request.

兴锋保留对符合标准材料规范的材料进行改进而无需通知的权力。 XF reserves the right to change the materials without any notice.

压力-温度表 P-T Rating

Temp.温度		Maximum Working Pressure(最大工作压力)																			
		150Lb				300Lb				400Lb				600Lb				900Lb			
°C	°F	A105,LF2		ASTM A182 F316		A105,LF2		ASTM A182 F316		A105,LF2		ASTM A182 F316		A105,LF2		ASTM A182 F316		A105,LF2		ASTM A182 F316	
Up to	Up to	bar	psi	bar	psi	bar	psi	bar	psi	bar	psi	bar	psi	bar	psi	bar	psi	bar	psi	bar	psi
38	100	19.7	285	19	275	51	740	49.6	720	68.3	990	66.2	960	102	1480	99.3	1440	153.1	2220	148.9	2160
93	200	17.9	260	16.5	240	46.5	675	42.7	620	62.1	900	56.9	825	93.1	1350	85.5	1240	139.6	2025	128.2	1860
149	300	15.9	230	14.8	215	45.2	655	38.6	560	60.3	875	51.4	745	90.7	1315	77.2	1120	135.8	1970	115.8	1680
204	400	13.8	200	13.4	195	43.8	635	35.5	515	58.3	845	47.2	685	87.6	1270	71.0	1030	131	1900	106.2	1540
264	500	11.7	170	11.7	170	41.4	600	33.1	480	55.2	800	43.8	635	82.7	1200	65.8	955	123.8	1795	98.9	1435



ANSI 150

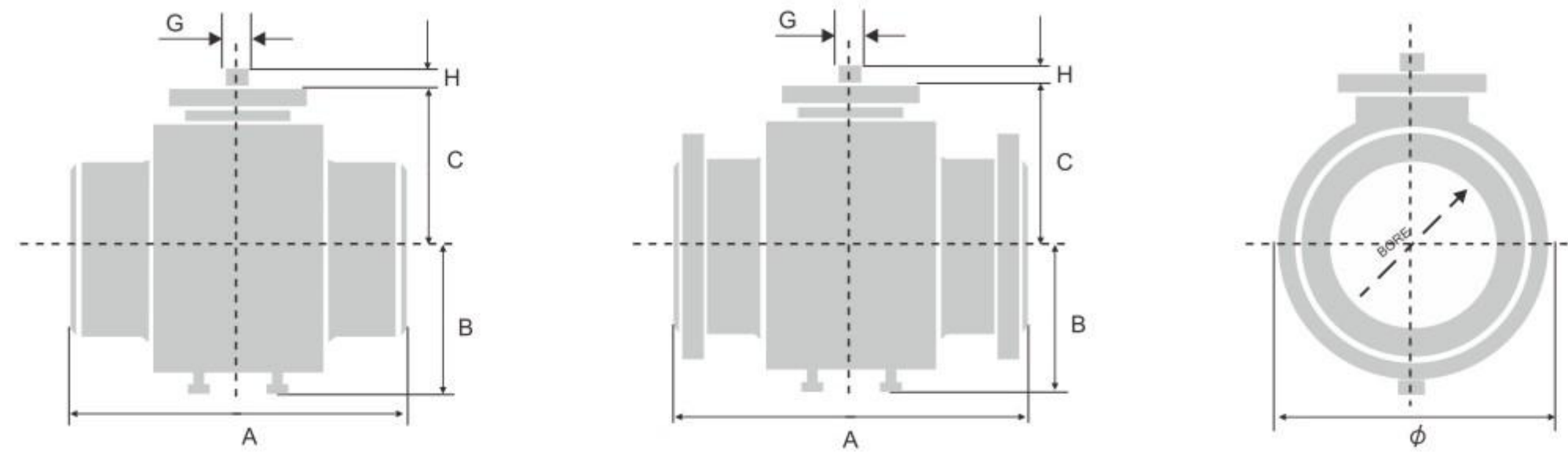
(Unit):mm

Nom.Dia.	Bore	Face to Face Dimension		Body			Stem		WT.(kg)	
		A(WE)	A(RF)	B	C	φ	G	H	WE	RF
DN(Inch)										
6	152	457	394	250	221	345	40	57	185	220
8	201	521	457	290	260	425	40	57	250	290
10	252	559	533	325	299	490	48	64	400	430
12	304	635	610	365	345	580	55	72	550	620
14	335	762	686	390	370	620	70	92	820	900
16	387	838	762	430	410	700	70	92	1100	1220
18	438	914	864	470	457	810	90	113	1400	1550
20	488	991	914	520	497	870	90	113	1750	1950
22	540	1092	991	560	547	950	100	135	2200	2350
24	590	1143	1067	600	587	1040	100	135	2800	3050
26	635	1245	1143	650	636	1120	110	136	2900	3250
28	686	1346	1245	700	673	1194	110	136	3400	3700
30	737	1397	1295	750	718	1280	110	136	4800	5300
32	781	1524	1372	790	755	1356	110	136	5500	6000

ANSI 300

(Unit):mm

Nom.Dia.	Bore	Face to Face Dimension		Body			Stem		WT.(kg)	
		A(WE)	A(RF)	B	C	φ	G	H	WE	RF
DN(Inch)										
6	152	457	403	250	221	345	40	57	185	230
8	201	521	502	290	260	425	40	57	250	300
10	252	559	568	325	299	490	48	64	400	460
12	304	635	648	365	345	580	55	72	550	670
14	336	762	762	390	370	620	70	92	820	1000
16	387	838	838	430	410	700	70	92	1100	1320
18	438	914	914	470	457	810	90	113	1400	1650
20	488	991	991	520	497	870	90	113	1750	2000
22	540	1092	1092	560	547	950	100	135	2200	2550
24	590	1143	1143	600	587	1040	100	135	2800	3100
26	635	1245	1245	650	636	1120	110	136	2900	3300
28	686	1346	1346	700	673	1194	110	136	3400	3750
30	737	1397	1397	750	718	1280	110	136	4800	5500
32	781	1524	1524	790	755	1356	110	136	5500	6500



ANSI 400

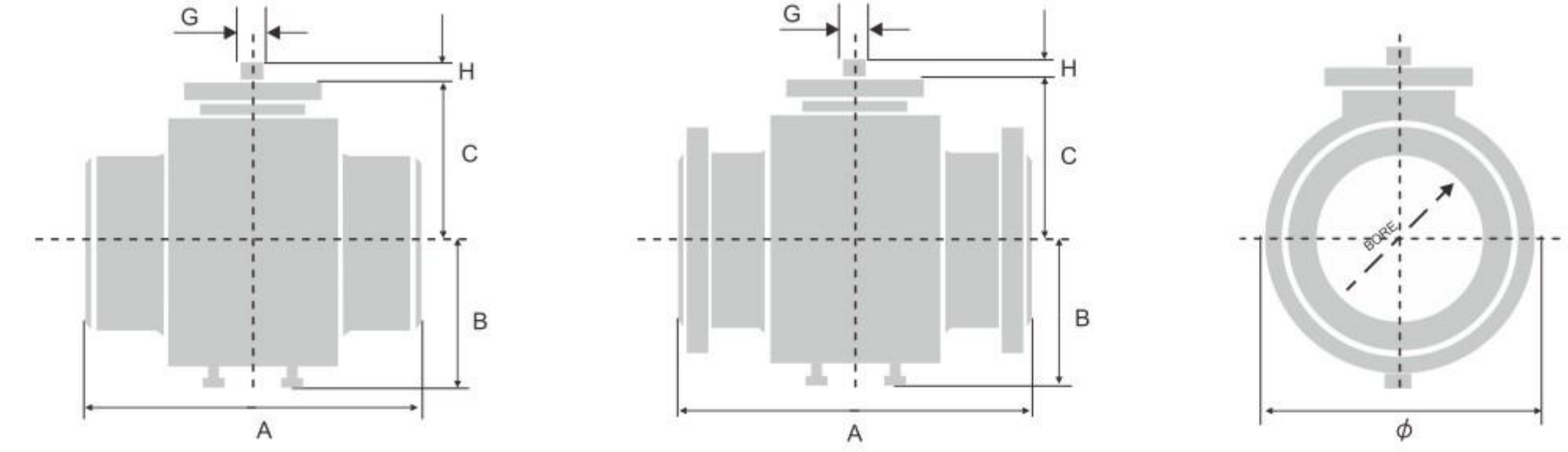
(Unit):mm

Nom.Dia.	Bore	Face to Face Dimension			Body			Stem		WT.(kg)	
		A (WE)	A (RF)	A (RJ)	B	C	ϕ	G	H	WE	RF
DN (Inch)											
6	152	495	495		250	222	345	40	56	250	301
8	201	597	597		290	261	425	48	64	340	520
10	252	673	673		325	305	490	55	75	570	670
12	304	762	762		385	353	600	55	75	850	890
14	336	826	826		410	384	640	70	92	1100	1200
16	387	902	902		450	424	750	70	92	1350	1630
18	438	978	978		495	484	840	100	135	2100	2100
20	488	1054	1054		540	525	910	100	135	2600	2760
22	540	1143	1143		582	568	1000	100	135	3150	3100
24	590	1232	1232		620	622	1080	110	139	3700	3825
26	635	1308	1308		674	660	1165	110	139	3900	4200
28	686	1397	1397		730	697	1250	110	139	4200	5200
30	737	1542	1542		775	740	1330	130	175	6000	6440
32	781	1651	1651		812	777	1405	130	175	6800	7460

ANSI 600

(Unit):mm

Nom.Dia.	Bore	Face to Face Dimension			Body			Stem		WT.(kg)	
		A (WE)	A (RF)	A (RJ)	B	C	ϕ	G	H	WE	RF
DN (Inch)											
6	152	559	559		250	222	345	40	56	250	330
8	201	660	660		290	261	425	48	64	340	450
10	252	787	787		325	305	490	55	75	570	710
12	304	838	838		385	353	600	55	75	850	1000
14	336	889	889		410	384	640	70	92	1100	1370
16	387	991	991		450	424	750	70	92	1350	1650
18	438	1092	1092		495	484	840	100	135	2100	2400
20	488	1194	1194		540	525	910	100	135	2600	3000
22	540	1295	1295		582	568	1000	100	135	3150	3550
24	590	1397	1397		620	622	1080	110	139	3700	4300
26	635	1448	1448		674	660	1165	110	139	3900	4500
28	686	1549	1549		730	697	1250	110	139	4200	5900
30	737	1651	1651		775	740	1330	130	175	6000	6900
32	781	1778	1778		812	777	1405	130	175	6800	8000



ANSI 900

(Unit):mm

Nom.Dia.	Bore	Face to Face Dimension			Body			Stem		WT.(kg)	
		A (WE)	A (RF)	A (RJ)	B	C	D	G	H	WE	RF
DN (Inch)											
6	152	610	610	613	270	225	345	55	70	330	430
8	201	737	737	740	325	265	425	55	70	400	520
10	252	838	838	841	380	320	525	75	85	640	820
12	304	965	965	968	425	355	595	75	85	900	1050
14	324	1029	1029	1038	450	378	635	75	85	1020	1400
16	375	1130	1130	1140	455	426	735	90	115	1350	2050
18	425	1219	1219	1232	500	495	805	120	115	2600	3400
20	473	1321	1321	1334	560	520	910	120	140	3700	4200
22	524	1422			615	562	995	120	140	4000	4600
24	572	1549	1549	1568	635	585	1040	150	140	4400	5400
26	619	1729	1729	1751	715	655	1165	150	187	5800	7000
28	667	1700	1780	1802	770	694	1240	150	187	7600	8600
30	714	1700	1890	1912	815	737	1330	150	187	10000	11000
32	762	1884	2014	2036	855	781	1410	150	187	10600	12500

ANSI 1500

(Unit):mm

Nom.Dia.	Bore	Face to Face Dimension			Body			Stem		WT.(kg)	
		A (WE)	A (RF)	A (RJ)	B	C	D	G	H	WE	RF
DN (Inch)											
6	152	705	705	711	270	225	345	55	70	/	/
8	203	832	832	841	325	265	425	55	70	/	/
10	254	991	991	1000	380	320	525	75	85	/	/
12	305	1130	1130	1146	425	355	595	75	85	/	/
14	324	1257	1257	1276	450	378	635	75	85	/	/
16	375	1384	1384	1407	455	426	735	90	115	/	/
18	425	1537	1537	1559	500	495	805	120	115	/	/
20	473	1664	1664	1686	560	520	910	120	140	/	/
22	524	-	-	-	615	562	995	120	140	/	/
24	572	-	1972	-	635	585	1040	150	140	/	/

1) 缩径与通径外形尺寸相同。Reduced bore have the same dimensions as full bore ball valve.

2) 焊接端*法兰端结构长度为法兰和焊接球阀长度总和的一半。Welding x flanged end valves is one half the sum of welding and flanged end valve.

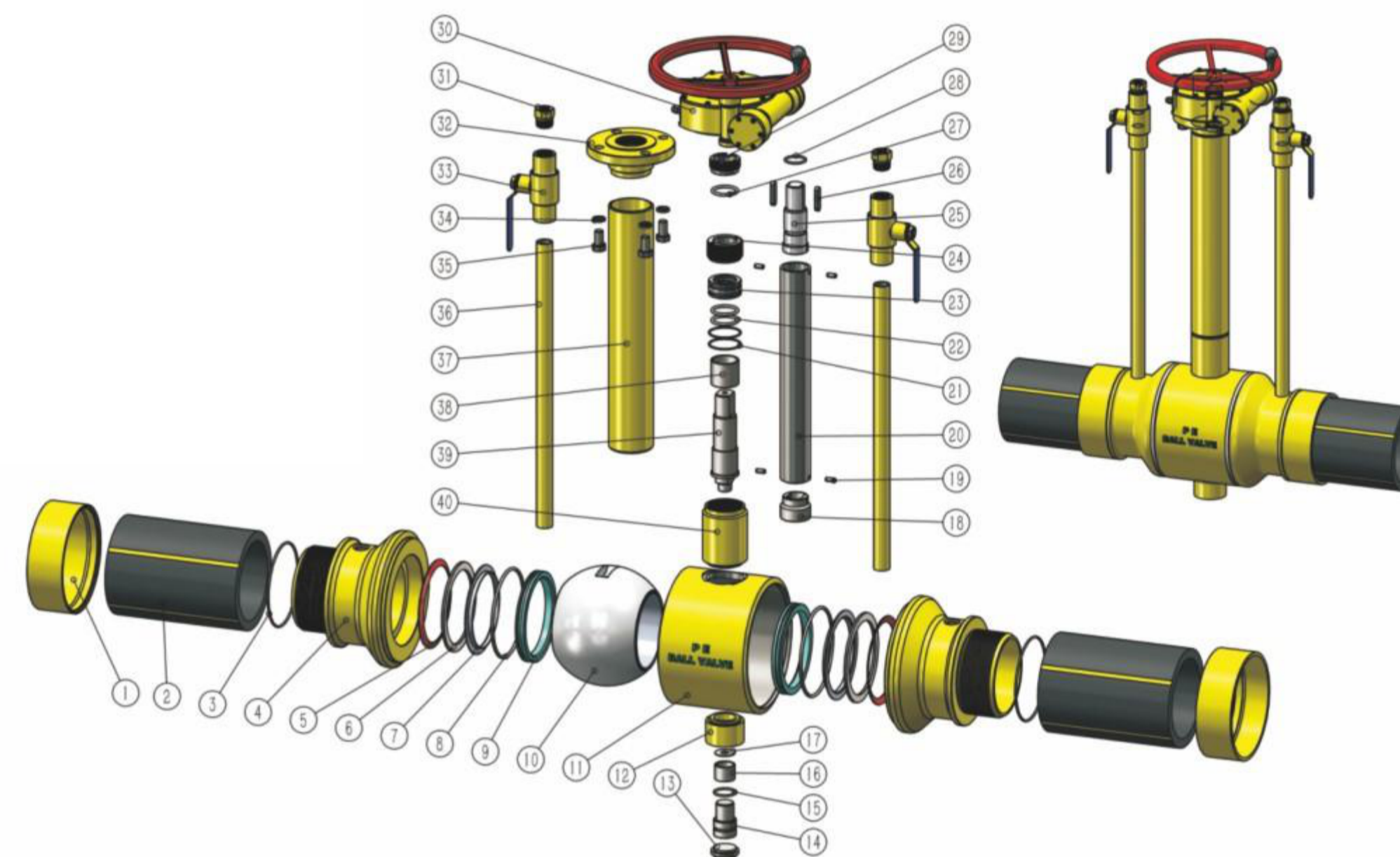


钢制PE球阀PE-F.S Ball valve

钢制PE球阀，是兴锋阀门在燃气球阀领域的重大研究成果：一种钢塑混合型球阀。其主体部分采用锻钢球阀结构，与管道连接部分采用PE（聚乙烯塑料）接管。这种钢塑复合设计避免了纯PE球阀在长期使用中因阀体及操作部分材质老化而导致开关失效及损坏的弊端，所以不易产生因PE老化损坏后引起的泄漏，使用寿命长并且安全可靠，不易产生外漏及因PE材料老化损坏以后而导致的纯PE球阀出现泄漏。

PE-Forged-Steel Ball Valve is an important scientific researching product of Xingfeng. Its body is forged steel ball valve, and the end side is PE. This plastic composite design to avoid long-term use of pure PE ball valve and the operating part due to the aging of the material damage caused by switch failures and drawbacks, so it will not leak because of PE damage caused by aging. This valve is long life and reliable

根据材料等级，PE球阀分为PE80和PE100，公司主要生产PE80。
根据功能区分，分为常规型、单放散型、双放散型。



1	护套 sheath	11	阀体 valve body	21	O型密封圈 O type sealing ring	31	NPT丝堵 NPT plug
2	PE管 PE pipe	12	下阀杆接头 Lower stem joint	22	O型密封圈 O type sealing ring	32	接盘 Disk access
3	O型密封圈 O type sealing ring	13	底盖 Bottom cover	23	密封环 Sealing ring	33	放散阀 Release valve
4	左右体 Right and left body	14	下阀杆 Lower valve stem	24	阀杆压套 Valve sleeve	34	标准弹性垫圈 Standard spring washer
5	蝶形弹簧 Butterfly spring	15	O型密封圈 O type sealing ring	25	加长阀杆 Extension stem	35	六角头螺栓 Hexagon headed bolt
6	平垫 Flat pad	16	滑动轴承 sliding bearing	26	平键 Flat key	36	放散管 Drain pipe
7	阀座垫 Valve seat cushion	17	止推轴承 Thrust bearing	27	O型密封圈 O type sealing ring	37	加长外管 Lengthened outer tube
8	O型密封圈 O type sealing ring	18	联轴套 Coupling sleeve	28	O型密封圈 O type sealing ring	38	滑动轴承 sliding bearing
9	阀座 valve seat	19	圆柱销 Cylindrical pin	29	填料压环 Filling pressing ring	39	上阀杆 Upper Stem
10	球体 sphere	20	加长内管 Lengthened inner pipe	30	蜗轮箱 Worm gear box	40	上阀杆接头 Upper stem joint

☆钢制PE球阀克服了纯PE球阀因材料老化而导致的阀门主体泄露问题以及操作器和加长杆容易扭断或长期动作磨合之后开关失效的情况。

☆PE-Forged-Steel ball valve overcomes the leakage problem of pure PE ball valve body due to material aging and operator and an extension rod easily break or after the long-term action of running switch failure.

☆钢制PE球阀采用双向密封阀座结构，相比于常规聚四氟乙烯阀座，密封性能更加可靠牢固可靠。

☆PE-Forged-Steel ball valve using a two-way sealing valve seat structure, compared to the conventional PTFE valve seat, the sealing performance is more reliable and firm and reliable.

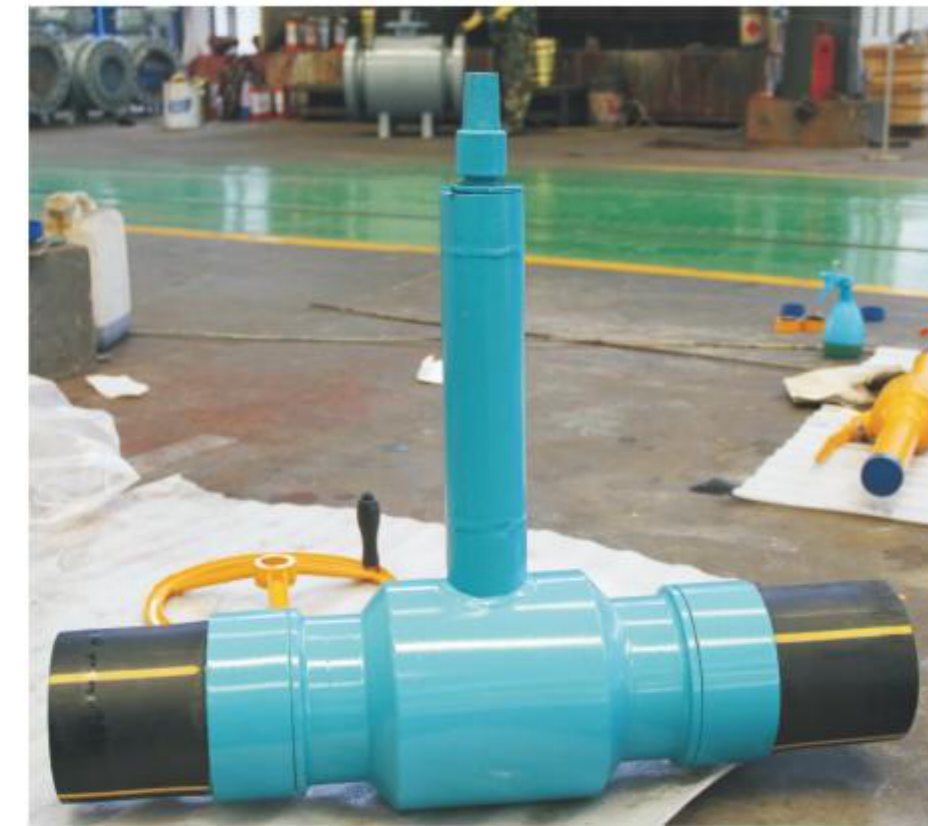
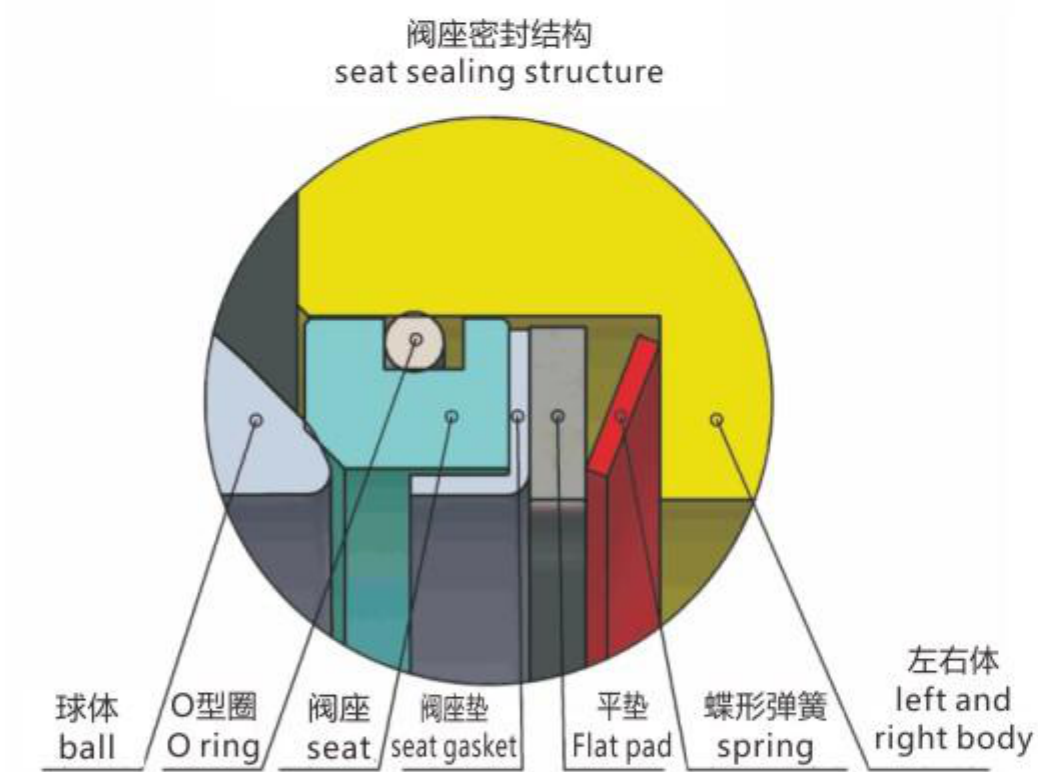
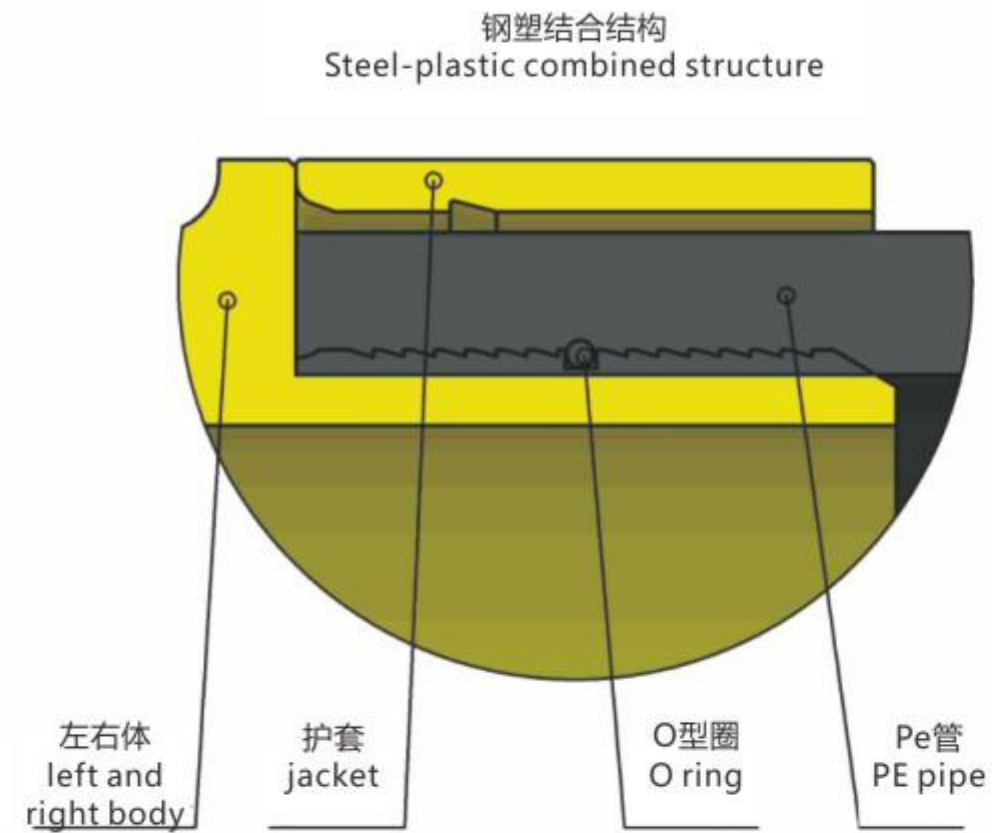
☆钢制PE球阀为安全防火型阀门：金属复合密封阀座，当阀座上的软密封材质被烧毁以后，可通过金属阀座在蝶形弹簧预载力的作用下补充软密封空间，压紧球体，形成金属对金属的密封结构。

☆PE-Forged-Steel ball valve is fire safety valve: metal composite sealing valve seat, when the soft sealing material on the seat was burned, the metal seat under the butterfly spring preload force will supply soft sealing space, pressing ball, forming metal to metal seal structure.

☆钢制PE球阀阀杆设计为防飞倒穿型，设置带有密封垫片的倒密封结构，倒密封的密封效果随阀腔压力的增高而增大，阀杆采用O型圈密封；阀门的启闭力矩较小，阀杆使用锻钢件，使用寿命长，强度高。

☆PE-Forged-Steel ball valve is designed to stem the anti-wear type fly inverted, set down with a gasket seal structure, sealing effect increased with valve chamber pressure increasing, the valve stem sealing with an O-ring seal; valve opening and closing torque is small, the stem is forged steel material which has long life and high strength.

☆钢制球阀与PE管采用螺纹连接，外部加一金属护套进行固定，充分保证其强度，使其连接更加稳定可靠。
☆Steel ball valve and PE pipe is threaded connections, external is fixed with metal sheath, sufficient to ensure its strength, the connection is more stable and reliable.



☆钢制PE球阀的安装非常方便，钢制PE球阀在出厂时，已经将PE管与阀门充分连接好，施工时，只需通过热熔和电熔等方式与管道进行融合连接。

☆The installation of PE-Forged-Steel ball valve is very convenient, when at the factory, PE pipes and valves have been fully connected, when need to construct, simply by way of hot melt and fused connection with the pipe fusion.

☆钢制PE球阀可直接埋于地下，无需建造阀井，只需要建一个浅井；施工质量方便，而且相对于全钢制阀门成本也更低。

☆PE-Forged-Steel ball valve can be directly buried in the ground, without the construction of valve well, only need to build a shallow well; the construction is convenient, but relative to the full steel valves at less cost.

☆钢制PE球阀易腐蚀面较常规球阀面较易腐蚀小，因此寿命更长，更加可靠。

☆PE-Forged-Steel ball valve has smaller corrosion surface than the conventional ball valve .so its life is longer and more reliable.

☆钢制PE球阀防静电效果显著，能避免金属球阀静电打火点爆燃气，确保安全。

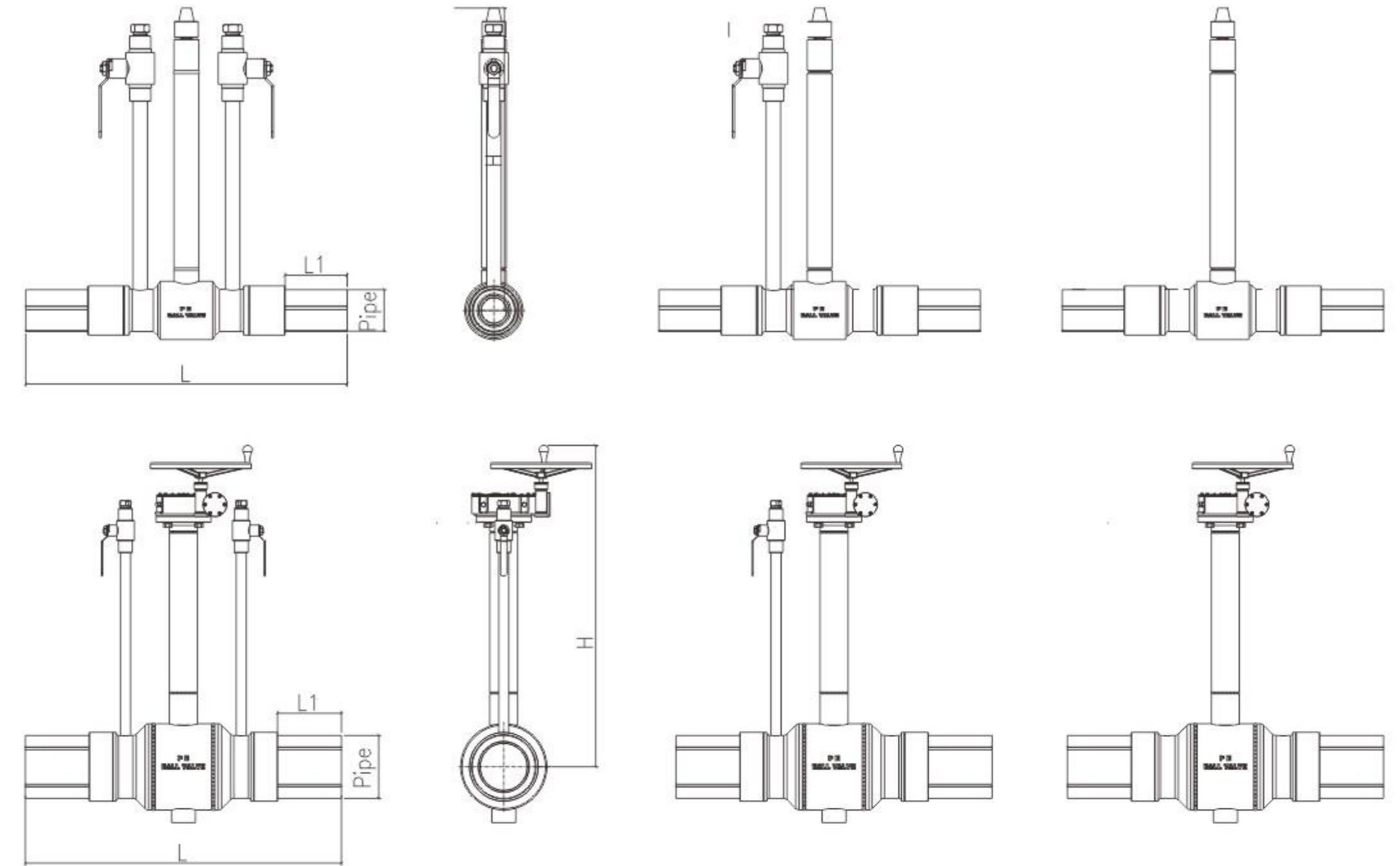
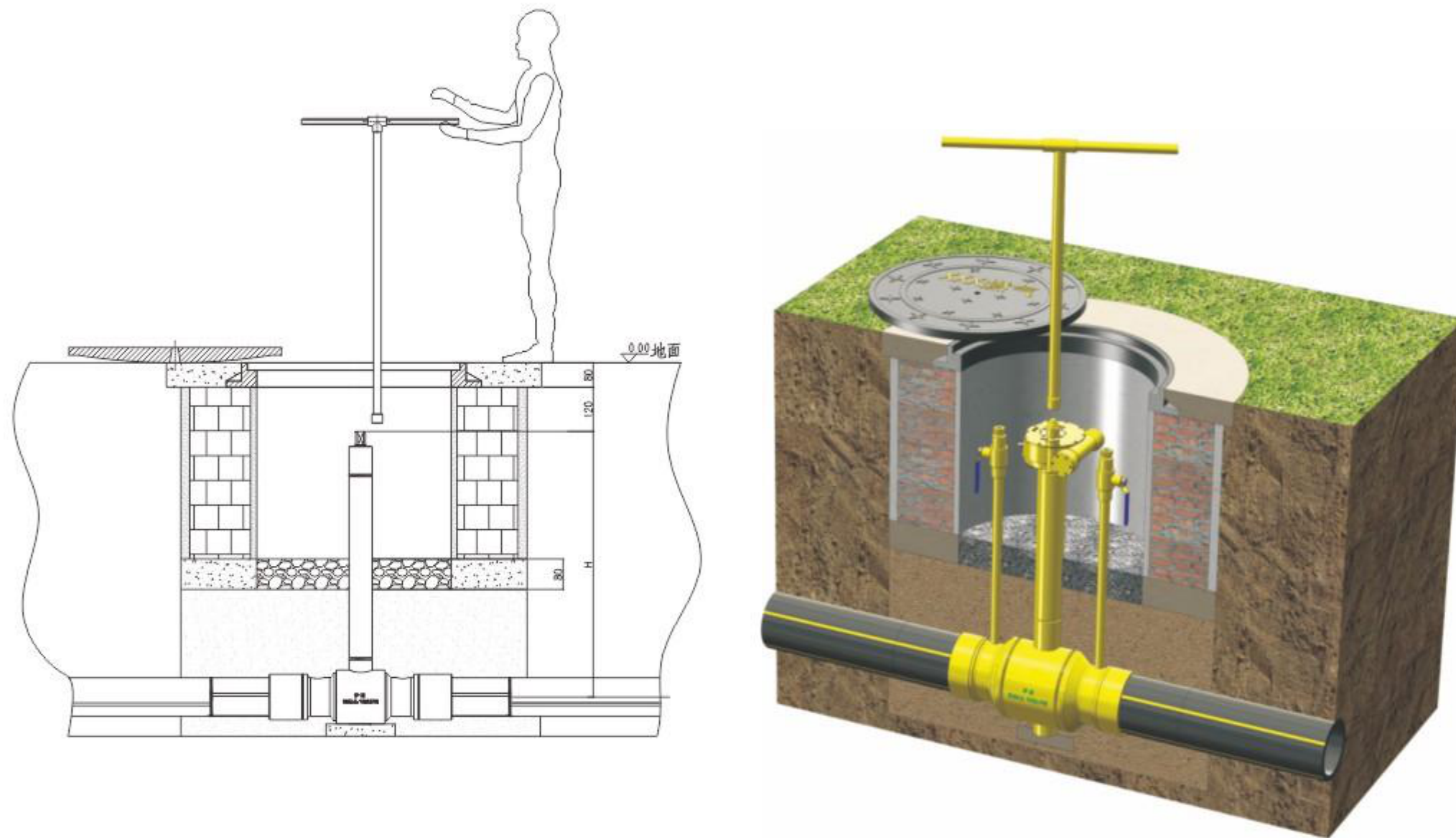
☆ PE-Forged-Steel ball valve`s anti-static effect is remarkable. It can avoid the metal ball to generate static electricity, so it is more secure and reliable.

☆钢制PE球阀结合了普通全焊接球阀和PE球阀的特性。因此其性能更加稳定，运行更加可靠，施工更加方便，成本更加低廉。

☆ PE-Forged-Steel ball valve combined with the characteristics of ordinary fully welded ball valve and PE ball valve. Therefore, its performance is more stable and operation is more reliable, construction is more convenient and it is more low - cost.

钢制PE球阀操作时，操作者无需进入井下，只需在井上转动操作器即可，操作十分安全方便。

When operating, operator needn't to enter the mine, simply turn to the operator in inoue, the operatation is very secure and convenient.



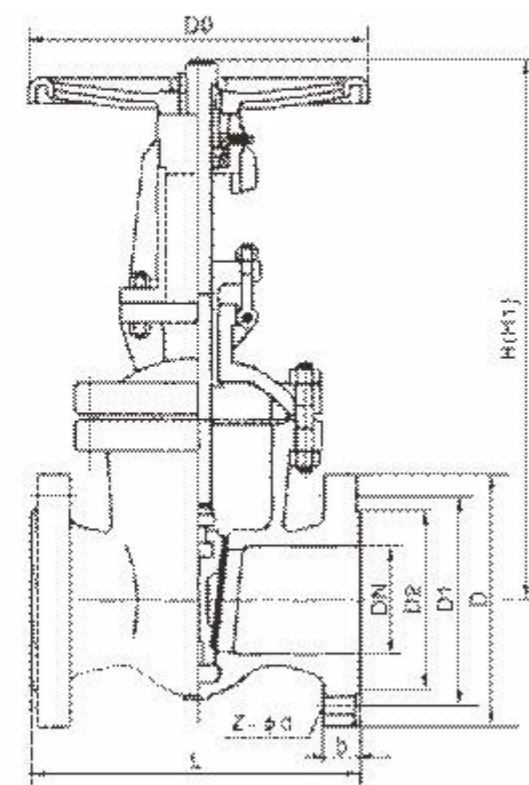
PE钢塑复合型球阀 PE Steel plastic composite ball valve

尺寸表 Dimension of PE-F.S Ball Valve (SDR 11)

Standard Type				
DN	Pipe	L	L1	H
DN50	φ 50×4.6	400	72	客 户 自 定
DN63	φ 63×5.8	450	75	
DN75	φ 75×6.8	500	80	
DN90	φ 90×8.2	600	100	
DN110	φ 110×10.0	700	133	
DN160	φ 160×14.6	800	135	
DN200	φ 200×18.2	1000	203	
DN225	φ 225×20.5	1250	300	
DN250	φ 250×22.7	1300	300	
DN280	φ 280×25.4	1350	300	
DN315	φ 315×28.6	1400	300	
DN400	φ 400×36.4	1600	500	

备注：L1尺寸仅供参考，客户可根据需求指定长度





DN 40-100



DN 150-200



DN 40-60

产品执行标准 Production enforce standard

产品规范 Product specification	设计规范 Design spec	结构长度 Face to face	连接法兰 Flange end	试验与检验 Test & check	压力-温度 Pressure-temp	产品标识 Marking
	GB/T12234	GB12221	GB9113 JB79	GB/T13927 JB/T9092	GB9131	GB/T12220

产品性能规范 Chief property and specification

1、试验压力 Test pressure

公称压力 PN(MPa) Nominal pressure	壳体 Shell	试验压力(MPa) Test pressure		上密封 Back seat
		密封(液) Seal	密封(气) Seal	
1.6	2.4	1.8	0.6	1.8
2.5	3.8	2.8	0.6	2.8
4.0	6.0	4.4	0.6	4.4
6.4	9.6	7.0	0.6	7.0
10.0	15.0	11.0	0.6	11.0
16.0	24.0	18.0	0.6	18.0

2、适用介质及适用温度

Applicable medium & Applicable temperature

壳体材料 Shell material	适用介质 Applicable medium	适用温度℃ Applicable temperature
碳素钢(C型)	水、蒸汽、油品 Water, steam, oil goods	≤425
铬镍钛钢(P型)	硝酸类 Nitric acid	≤200
铬镍钼钛钢(R型)	醋酸类 Acetic acid	≤200
铬钼钢(I型)	水、蒸汽、油品 Water, steam, oil goods	≤550

主要零件材料 Material for main parts

阀体、阀盖 Body bonnet	阀板、阀座 Wedge disc, seat ring	阀杆 Stem	阀杆螺母 Yoke nut	填料 Packing	手轮 Hand wheel
碳素钢 Carburizing steel	优质碳钢+硬质合金或不锈钢 High-grade carbon steel+ carbide alloy or stainless steel	铬不锈钢 Cr. stainless steel	铝青铜 Al bronze	石墨石棉盘根 Graphite, asbestos coils	可锻铸铁 Foraeable cast-iron
铬镍钛钢 Cr.Ni, steel	不锈钢、不锈钢+硬质合金 Stainless steel or+carbide alloy	铬镍钛不锈钢 Cr.Ni.Ti stainless steel	铝青铜 Al bronze	浸聚四氟乙烯 Dipping polytetrafluo -roethylene	可锻铸铁 Foraeable cast-iron
铬镍钼钛钢 Cr.Ni.Mo.Ti steel	不锈钢、不锈钢+硬质合金 Stainless steel or+carbide alloy	铬镍钼钛不锈钢 Cr.Ni.Ti stainless steel	铝青铜 Al bronze	烯石棉盘根 Asbestos coil	可锻铸铁 Foraeable cast-iron
铬钼钢 Cr, Mo steel	合金钢+硬质合金 Alloy steel+carbide alloy	铬钼钼钢 Cr.Mo Al steel	铝青铜 Al bronze	柔性石墨 Flexibie graphite	可锻铸铁 Foraeable cast-iron

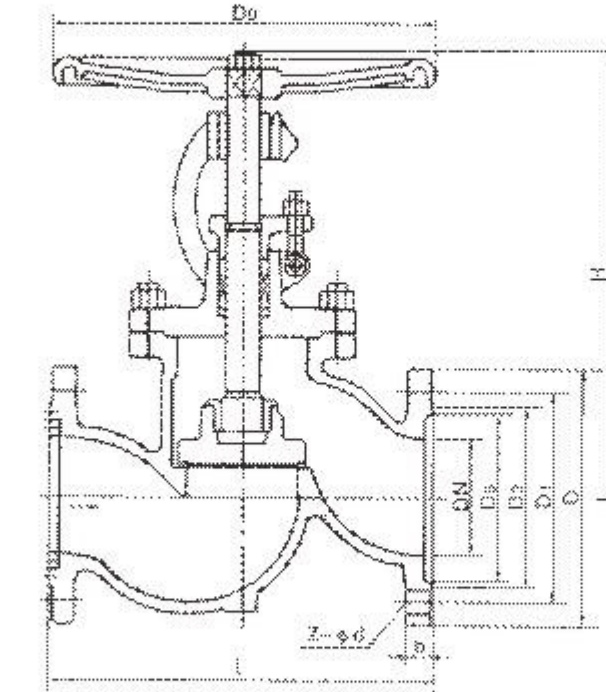
主要外形和连接尺寸 Main External and Connection Dimension

公称通径 DN	主要外形尺寸和连接尺寸 (mm) Main external and connecting dimensions									
	L	D	D1	D2	b	f	Z-d	H	H1	Do
	Z40H-16 Z41Y-16	Z40Y-16P	Z40Y-16R	Z40W-16P	Z40W-16R	Z40Y-16I	(KZ41Y)			
15	130	95	65	45	14	2	4-14	220	240	120
20	150	105	75	55	14	2	4-14	255	284	140
25	160	115	85	65	14	2	4-14	275	303	160
32	180	135	100	78	16	2	4-18	280	321	180
40	200	145	110	85	16	3	4-18	300	352	200
50	250	160	125	100	16	3	4-18	358	438	240
65	265	180	145	120	18	3	4-18	375	450	240
80	280	195	160	135	20	3	8-18	438	528	280
100	300	215	180	155	20	3	8-18	502	620	320
125	325	245	210	185	22	3	8-18	612	753	360
150	350	280	240	210	24	3	8-23	676	847	360
200	400	335	295	265	26	3	12-23	820	1039	400
250	450	405	355	320	30	3	12-25	969	1245	450
300	500	460	410	375	30	3	12-25	1142	1472	560
350	550	520	470	435	34	4	16-25	1280	1450	640
400	600	580	525	485	36	4	16-30	1452	1887	640
450	650	640	585	545	40	4	20-30	1541	2011	720
500	700	705	650	608	44	4	20-34	1676	2181	720
600	800	840	770	718	48	5	20-41	1874	2346	800
700	900	910	840	788	50	5	24-41	2489	2700	900
800	1000	1020	950	898	52	5	28-41	2643	2860	1000
900	1100	1120	1050	998	54	5	28-41	2590	3170	1000
1000	1200	1255	1170	1110	56	5	28-48	2750	3430	1100
	Z40H-25 Z41Y-25	Z40Y-25P	Z40Y-25R	Z40W-25P	Z40W-25R	Z40Y-25I	(KZ41Y)			
15	130	95	65	45	16	2	4-14	220	240	120
20	150	105	75	55	16	2	4-14	255	284	140
25	160	115	85	65	16	2	4-14	275	303	160
32	180	135	100	78	18	2	4-18	280	321	180
40	200	145	110	85	18	3	4-18	300	352	200
50	250	160	125	100	20	3	4-18	358	438	240
65	265	180	145	120	22	3	8-18	375	450	240
80	280	195	160	135	22	3	8-18	433	528	280
100	300	230	190	160	24	3	8-23	502	620	320
125	325	270	220	188	28	3	8-25	612	753	360
150	350	300	250	218	30	3	8-25	676	847	360
200	400	360	310	278	34	3	12-25	820	1039	400
250	450	425	370	332	36	3	12-30	969	1245	450
300	500	485	430	390	40	4	16-30	1142	1472	560
350	550	550	490	448	44	4	16-34	1280	1450	640
400	600	610	550	505	48	4	16-34	1452	1887	640
450	650	660	600	555	50	4	20-34	1541	2011	720
500	700	730	660	610	52	4	20-41	1676	2181	720
600	800	840	770	718	56	5	20-41	1874	2346	800
700	900	955	875	815	60	5	24-48	2489	3170	900
800	1000	1070	990	930	64	5	24-48	2643	3430	1000
900	1100	1180	1090	1025	66	5	28-54	2590	3170	900
1000	1200	1305	1210	1140	68	5	28-56	2750	3430	1000

主要外形和连接尺寸 Main External and Connection Dimension

单位Unit:mm

公称通径 DN	主要外形尺寸和连接尺寸 (mm) Main external and connecting dimensions												
	L	D	D1	D2	D6	b	f	f2	Z-d	H	H1	Do	
	Z40H Z41Y-40	Z40HY-40P Z41Y-40P	Z40HY-40R Z41Y-40R	Z40HW-40P Z41Y-40P	Z40HW-40R Z41Y-40R	Z40HY-40 (KZ41Y)							
20	150	105	75	55	51	16	2	4	4-14	256	285	140	
25	160	115	85	95	58	16	2	4	4-14	275	305	160	
32	180	135	100	78	66	18	2	4	4-18	287	322	180	
40	200	145	110	85	76	18	3	4	4-18	323	369	200	
50	250	160	125	100	88	20	3	4	4-18	372	440	280	
65	280	180	145	120	110	22	3	4	8-18	395	473	280	
80	310	195	160	135	121	22	3	4	8-18	457	552	320	
100	350	230	190	160	150	24	3	4.5	8-23	552	671	360	
125	400	270	220	188	176	28	3	4.5	8-25	634	726	400	
150	450	300	250	218	204	30	3	4.5	8-25	708	883	400	
200	550	375	320	282	260	38	3	4.5	12-30	858	1086	450	
250	650	445	385	345	313	42	3	4.5	12-34	1015	1298	560	
300	750	510	450	408	364	46	4	4.5	16-34	1203	1535	640	
350	850	570	510	465	422	52	4	5	16-34	1341	1678	640	
400	950	665	585	535	474	58	4	5	16-41	1492	1903	720	
500	1050	755	670	612	524	60	4	5	20-41	1676	2181	800	
	Z40H Z41Y-64	Z40Y-64P Z41Y-64P	Z40Y-64R Z41Y-64R	Z40W-64P Z41Y-64P	Z40W-64R Z41Y-64R	Z40Y-64I (KZ41Y)							
20	190	125	90	68	51	20	2	4	4-18	258	288	180	
25	210	135	100	78	58	22	2	4	4-18	310	341	200	
32	230	150	110	82	66	24	2	4	4-23	320	353	200	
40	240	165	125	95	76	24	3	4	4-23	360	389	240	
50	250	175	135	105	88	26	3	4	4-23	372	448	280	
65	280	200	160	130	110	28	3	4	8-23	395	475	280	
80	310	210	170	140	121	30	3	4	8-23	458	553	320	
100	350	250	200	168	150	32	3	4.5	8-25	553	679	360	
125	400	295	240	202	176	36	3	4.5	8-30	638	779	400	
150	450	340	280	240	204	38	3	4.5	8-34	718	893	450	
200	550	405	345	300	260	44	3	4.5	12-34	873	1100	560	
250	650	470	400	352	313	48	3	4.5	12-41	1053	1332	640	
300	750	530	460	412	364	54	4	4.5	16-41	1203	1535	640	
350	850	595	525	475	422	60	4	5	16-41	1280	1610	720	
400	950	670	585	525	474	66	4	5	20-54	1320	1660	800	
	Z40H Z41Y-100	Z40Y-100P Z41Y-100P	Z40Y-100R Z41Y-100R	Z40W-100P Z41Y-100P	Z40W-100R Z41Y-100R	Z40Y-100I (KZ41Y)							
25	210	135	100	78	58	24	2	4	4-18	310	341	200	
32	230	150	110	82	66	24	2	4	4-18	320	353	240	
40	240	165	125	95	76	26	3	4	4-23	360	389	280	
50	250	195	145	112	88	28	3	4	4-23	490	558	360	
65	280	220	170	138	110	32	3	4	8-25	540	622	400	
80	310	230	180	148	121	34	3	4	8-25	573	671	400	
100	350	265	210	172	150	38	3	4.5	8-30	575	671	400	
125	400	310	250	210	176	42	3	4.5	8-34	744	892	560	
150	450	350	290	250	204	46	3	4.5	12-34	800	972	560	
200	550	430	360	312	260	54	3	4.5	12-41	800	972	560	
250	650	500	430	382	313	60	3	4.5	12-41	1050	1305	640	
300	750	585	500	442	364	70	4	4.5	16-48	1208	1506	640	
350	850	655	560	498	422	76	4	5	16-54	1180	1610	720	
400	950	715	620	558	474	80	4	5	16-54	1320	1660	800	
	Z40H Z41Y-160	Z40Y-160P Z41Y-160P	Z40Y-160R Z41Y-160R	Z40W-160P Z41Y-160P	Z40W-160R Z41Y-160R	Z40Y-160I (KZ41Y)							
15	170	110	75	52	40	24	2	4	4-18	230	250	200	
20	190	130	90	62	51	26	2	4	4-23	260	288	200	
25	210	140	100	72	58	28	2	4	4-23	280	310	280	
32	230	165	115	85	66	30	2	4	4-25	312	350	320	
40	240	175	125	92	76	32	3	4	4-27	350	395	320	
50	300	215	165	132	88	36	3	4	8-25	512	612	360	
65	340	245	190	152	110	44	3	4	8-30	560	677	360	
80	390	260	205	168	121	46	3	4	8-30	585	686	400	
100	450	300	240	200	150	48	3	4.5	8-34	631	751	450	
125	525	355	285	238	176	60	3	4.5	8-41	723	868	560	
150	600	390	318	270	204	66	3	4.5	12-41	820	997	640	
200	750	480	400	345	250	78	3	4.5	12-48	990	1224	720	



产品执行标准 Production enforce standard

产品规范 Product Specification	设计规范 Design Spec	结构长度 Face to Face	连接法兰 Flange End	试验与检验 Test Check	压力-温度 Pressure-Temp	产品标识 Marking	供货规范 Supply
	GB12235	GB12221	GB9113 JB79	GB/T13927 JB/T9092	GB 9131	GB/T12220	JB/T7928

产品性能规范 Chief property and specification

1、试验压力 Test pressure

公称压力 (Lb) Nominal Pressure	1.6	2.5	4.0	6.4	10.0	16.0
壳体强度试验 Shell strength test	2.4	3.8	6.0	9.6	15	24
上密封试验 Back seal test	1.8	2.8	4.4	7.0	11	18
密封试验 Seal test	1.8	2.8	4.4	7.0	11	18

2、适用介质及适用温度

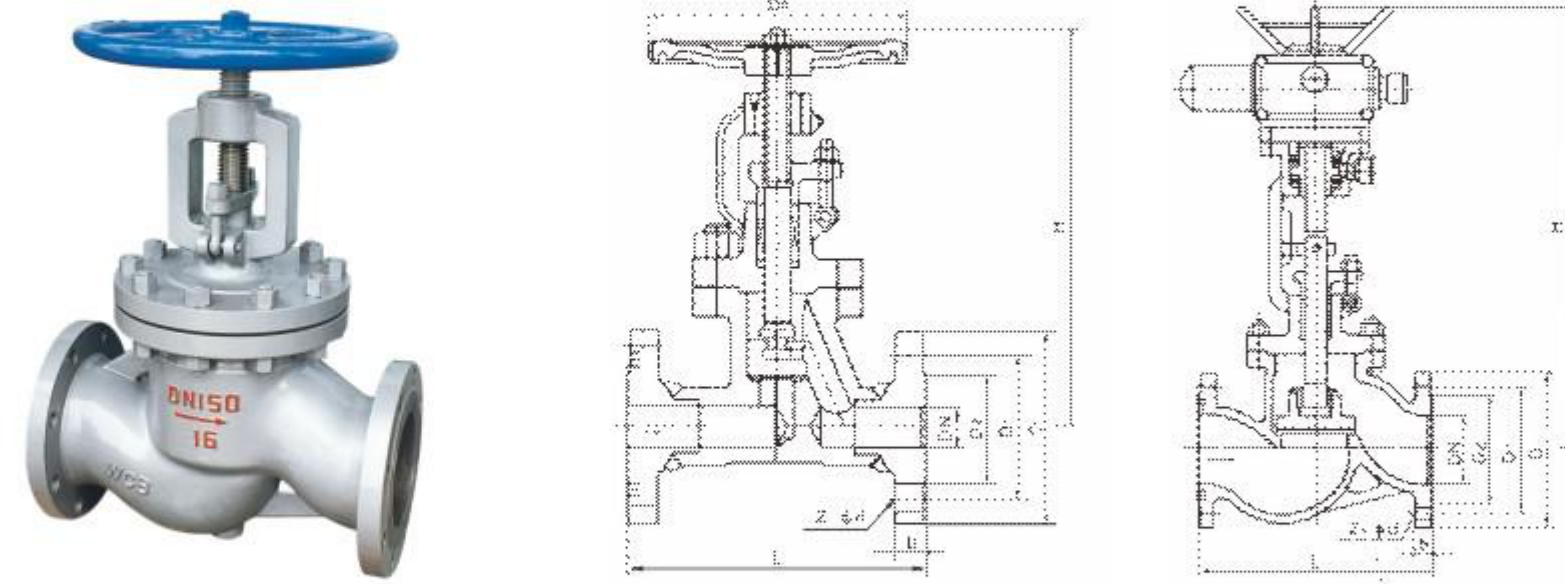
Applicable medium & Applicable temperature

产品类型 Product type	适用介质 Applicable medium	适用温度℃ Applicable temperature
J41Y-C型 J941Y-C型	水、油品、蒸气 Water, oil, steam	≤425 ≤450
J41W-P型 J941W-P型	硝酸类 Nitric acid	≤200
J41W-R型	醋酸类 Acetic acid	≤200
J41Y-I型 J941Y-I型	水、油品、蒸气 Water, oil, steam	≤550

主要零件材料 Material for main parts

产品名称 Product type	零件名称 Part name							
	阀体、阀盖 Body bonnte	阀杆 Stem	阀瓣 Sealing face	密封面 sealingface	阀杆螺母 Yoke nut	填料 Packig	紧固件 Fastener	手轮 Hand wheel
J41Y-C型 J941Y-C型	2.5WCB	铬不锈钢 Cr.Stainless steel	2Cr13 25	H: 不锈钢 Y: 钴基硬质合金 H: Stainless steel Y: Co-based carbide alloy steel	铝青铜 Al bronze	柔性石墨 Flexibie graphite	优质碳钢 High-grade carbon steel	可锻铸铁 Foraeable cast-iron
J41W-P型 J941W-P型	铬镍钛钢 Cr,Ni,Ti steel	铬镍钛钢 Cr,Ni,Ti steel	铬镍钛钢 Cr,Ni,Ti steel	铬镍钛钢 Cr,Ni,Ti steel	铝青铜 Al bronze	柔性石墨 Flexibie graphite	不锈钢 Stainless steel	可锻铸铁 Foraeable cast-iron
J41W-R型	铬镍钼钛钢 Cr,Ni,Mo,Ti steel	铬镍钼钛钢 Cr,Ni,Mo,Ti steel	铬镍钼钛钢 Cr,Ni,Mo,Ti steel	铬镍钼钛钢 Cr,Ni,Mo,Ti steel	铝青铜 Al bronze	柔性石墨 Flexibie graphite	不锈钢 Stainless steel	可锻铸铁 Foraeable cast-iron
J41Y-I型 J941Y-I型	铬钼钢 Cr,Mo steel	铬钼钢 Cr,Mo steel	合金钢 Alloy steel	钴基硬质合金 Co-based carbide alloy steel	铝青铜 Al bronze	柔性石墨 Flexibie graphite	合金钢 Alloy steel	可锻铸铁 Foraeable cast-iron

J41W/Y-16P/R/I



主要外形和连接尺寸 Main External and Connection Dimension

单位Unit:mm

公称 口径 DN	主要外形尺寸和连接尺寸 (mm) Main external and connecting dimensions									
	L	D	D1	D2	b	f	Z-d	H	D0	
J41^H_BY-16C J41W-16P J41W-16R J41Y-16I										
10	130	90	60	40	14	2	4-14	198	120	
15	130	95	65	45	16	2	4-14	218	120	
20	150	105	75	55	16	2	4-14	258	140	
25	160	115	85	65	16	2	4-14	275	160	
32	180	135	100	78	18	2	4-18	280	180	
40	200	145	110	85	18	3	4-18	330	200	
50	230	160	125	100	18	3	4-18	350	240	
65	290	180	145	120	18	3	4-18	400	280	
80	310	195	160	135	20	3	8-18	355	280	
100	350	215	180	155	22	3	8-18	415	320	
125	400	245	210	185	24	3	8-18	460	360	
150	480	280	240	210	24	3	8-23	510	400	
200	600	335	295	265	26	3	12-23	710	400	
250	650	405	355	320	30	3	12-23	768	450	
300	750	460	410	375	30	3	12-23	925	500	
350	850	520	470	435	34	4	16-25	980	560	
400	950	580	525	485	36	4	16-30	1030	640	
450	1050	640	585	545	40	4	20-30	1080	700	
500	1150	705	650	608	42	4	20-34	1140	800	

J41W/H/Y-25~40P/R/I

主要外形和连接尺寸 Main External and Connection Dimension

公称 口径 DN	主要外形尺寸和连接尺寸 (mm) Main external and connecting dimensions										电动装置 Electric device
	L	D	D1	D2	b	f	Z-d	H手	H电	D0	
10	130	90	60	40	16	2	4-14	198	-	120	-
15	130	95	65	45	16	2	4-14	218	-	120	-
20	150	105	75	55	16	2	4-14	258	-	140	-
25	160	115	85	65	16	2	4-14	275	-	160	-
32	180	135	100	78	18	2	4-18	280	-	180	-
40	200	145	110	85	18	3	4-18	330	-	200	-
50	230	160	125	100	20	3	4-18	350	645	240	DZW10
65	290	180	145	120	22	3	8-18	400	690	280	DZW10
80	310	195	160	135	22	3	8-18	355	715	280	DZW20
100	350	230	190	160	24	3	8-23	415	770	320	DZW20
125	400	270	220	188	28	3	8-25	460	780	360	DZW30
150	480	300	250	218	30	3	8-25	510	875	400	DZW45
200	600	360	310	278	34	3	12-25	710	967	400	DZW60
250	650	425	370	332	36	3	12-30	786	-	450	DZW90
300	750	485	430	390	40	4	12-30	925	-	500	DZW120
350	850	550	490	448	42	4	16-34	975	-	560	DZW120
400	950	610	550	505	44	4	16-34	1025	-	640	DZW180
450	1050	660	600	555	46	4	20-34	1080	-	700	DZW250
500	1150	730	660	610	50	4	20-41	1120	-	800	DZW250

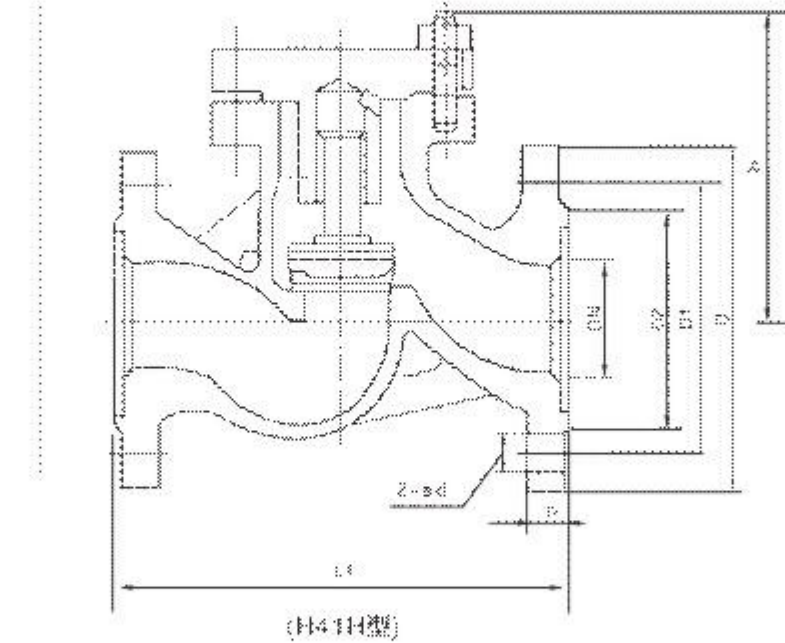
公称 口径 DN	主要外形尺寸和连接尺寸 (mm) Main external and connecting dimensions												电动装置 Electric device
	L	D	D1	D2	D6	b	f	f ₂	Z-d	H手	H电	D0	
10	130	90	60	40	35	16	2	4	4-14	198	-	120	-
15	130	95	65	45	40	16	2	4	4-14	233	-	120	-
20	150	105	75	55	51	16	2	4	4-14	275	-	140	-
25	160	115	85	65	58	16	2	4	4-14	285	-	160	-
32	180	135	100	78	66	18	2	4	4-18	302	-	180	-
40	200	145	110	85	76	18	3	4	4-18	355	-	200	-
50	230	160	125	100	88	20	3	4	4-18	373	645	240	DZW10
65	290	180	145	120	110	22	3	4	8-18	408	690	280	DZW10
80	310	195	160	135	121	22	3	4	8-18	436	715	320	DZW20
100	350	230	190	160	150	24	3	4.5	8-23	480	770	360	DZW20
125	400	270	220	188	176	28	3	4.5	8-25	558	782	400	DZW30
150	480	300	250	218	204	30	3	4.5	8-25	611	875	400	DZW45
200	600	375	320	282	260	38	3	4.5	12-30	720	1160	400	DZW60
250	650	445	385	345	318	42	3	4.5	12-34	780	1210	500	DZW90
300	750	510	450	408	364	46	4	4.5	16-34	830	1260	560	DZW120
350	850	570	510	465	422	52	4	5	16-34	980	1310	560	DZW120
400	950	655	585	535	474	58	4	5	16-41	1030	1360	640	DZW180

J41/941 W/Y-64~160/I

主要外形和连接尺寸 Main External and Connection Dimension

公称 口径 DN	主要外形尺寸和连接尺寸 (mm) Main external and connecting dimensions												电动装置 Electric device
	L	D	D1	D2	D6	b	f	f ₂	Z-d	H手	H电	D0	
J41^H-64 J941^H-64 J41Y-64I J941Y-64I													
10	170	100	70	50	35	18	2	4	4-14	198	-	120	-
15	170	105	75	55	41	18	2	4	4-14	195	-	140	-
20	190	125	90	68	51	20	2	4	4-18	228	-	160	-
25	210	135	100	78	58	22	2	4	4-18	275	-	180	-
32	230	150	110	82	66	24	2	4	4-23	325	-	200	-
40	260	165	125	95	76	24	3	4	4-23	360	-	240	-
50	300	175	135	105	88	26	3	4	8-23	410	710	280	DZW20
65	340	200	160	130	110	28	3	4	8-23	450	750	320	DZW20
80	380	210	170	140	121	30	3	4	8-23	485	785	360	DZW45
100	430	250	200	168	150	32	3	4	8-25	537	837	400	DZW60
125	500	295	240	202	176	26	3	4	8-30	631	-	400	DZW90
150	550	340	280	240	204	38	3	4	8-34	646	-	450	DZW90
200	650	405	345	300	260	44	3	4	12-34	813	-	500	DZW120
250	750	470	400	352	313	46	3	4.5	12-34	870	-	560	DZW120
300	900	530	460	412	364	48	4	4.5	12-41	920	-	620	DZW180
J41^H-100 J941^H-100 J41Y-100I J941Y-100I													
10	170	100	70	50	35	20	2	4	4-14	198	-	120	-
15	170	105	75	55	40	20	2	4	4-14	202	-	140	-
20	190	125	90	68	51	22	2	4	4-18	228	-	160	-
25	210	135	100	78	58	24	2	4	4-18	250	-	180	-
32	230	150	110	82	66	24	2	4	4-23	326	-	220	-
40	260	165	125	95	76	26	3	4	4-23	359	-	240	-
50	300	195	145	112	88	28	3	4	4-25	414	710	280	DZW20
65	340	220	170	138	110	32	3	4	8-25	434	750	320	DZW20
80	380	230	180	148	121	34	3	4	8-25	547	785	400	DZW45
100	430	265	210	172	150	38	3	4.5	8-30	621	837	450	DZW60
125	500	310	250	210	176	42	3	4.5	8-34	732	-	450	DZW90
150	550	350	290	250	204	46	3	4.5	12-34	840	-	500	DZW90
200	650	430	360	312	260	54	3	4.5	12-41	925	-	550	DZW120
250	750	500	430	382	313	60	3	4.5	12-41	870	-	560	DZW120
300	900	585	500	442	364	70	4	4.5	16-48	920	-	620	DZW180
J41^H-160													
15	170	110	75	52	40	24	2	4	4-18	148	-	140	-
20	190	130	90	65	51	26	2	4	4-23	156	-	160	-
25	210	140	100	72	58	28	2	4	4-23	125	-	180	-
32	230	165	115	85	66	30	2	4	4-25	200	-	200	-
40	260	175	125	92	76	32	3	4	4-27	231	-	240	-
50	300	215	165	132	88	36	3	4	8-25	262	-	250	-
65	340	245	190	152	110	44	3	4	8-30	303	-	320	-
80	380	260	205	168	121	46	3	4	8-30	341	-	400	-
100	430	300	240	200	150	48	3	4.5	8-34	485	-	450	-

H41H(Y)-16~25C/P/R/I



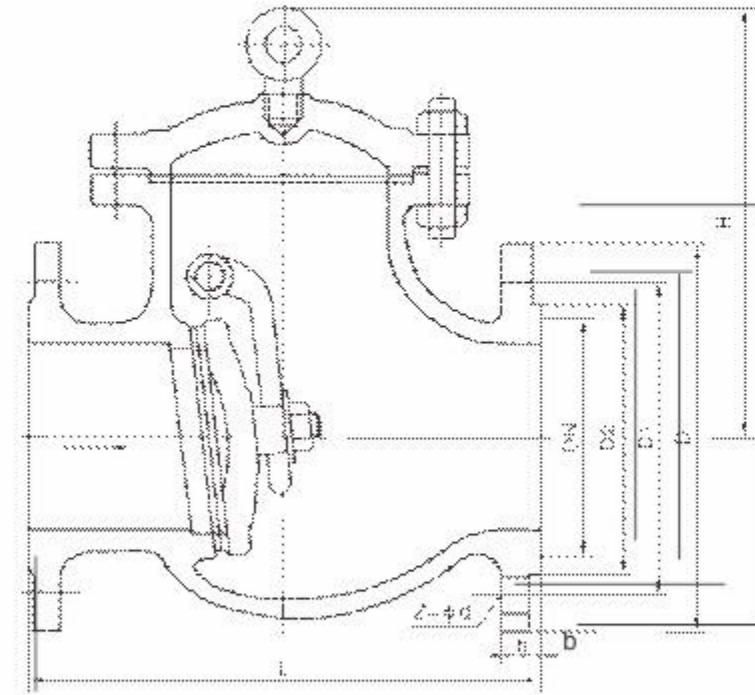
产品执行标准 Production enforce standard

产品规范 Product Specification	设计规范 Design Spec	结构长度 Face to Face	连接法兰 Flange End	试验与检验 Test Check	压力-温度 Pressure-Temp	产品标识 Marking	供货规范 Supply
	GB 12235	GB 12221	GB 9113 JB79	GB/T13927 JB/T9092	GB 9131	GB/T12220	JB/T7928

主要外形和连接尺寸 Main External and Connection Dimension

公称口径 DN	主要外形尺寸和连接尺寸 (mm) Main external and connecting dimensions						
	L	D	D1	D2	b	Z-φd	H
H41H-16C H41W-16C H41W-16P H41W-16R H41W-16I							
15	130	95	65	45	14	4-φ14	77
20	150	105	75	55	14	4-φ14	77
25	160	115	85	65	14	4-φ14	80
32	180	135	100	78	16	4-φ18	85
40	200	145	110	85	16	4-φ18	95
50	230	160	125	100	16	4-φ18	105
65	290	180	145	120	18	4-φ18	120
80	310	195	160	135	20	8-φ18	130
100	350	215	180	155	20	8-φ18	140
125	400	245	210	185	22	8-φ18	155
150	480	280	240	210	24	8-φ23	180
200	600	335	295	265	26	12-φ23	215
250	730	405	355	320	30	12-φ25	260
300	850	460	410	375	34	12-φ25	315
H41H-25 H41W-25 H41W-25P H41W-25R H41W-25I							
15	130	95	65	45	16	4-φ14	100
20	150	105	75	55	16	4-φ14	105
25	160	115	85	65	16	4-φ14	120
32	180	135	100	78	18	4-φ18	130
40	200	145	110	85	18	4-φ18	135
50	230	160	125	100	20	4-φ18	149
65	290	180	145	120	22	8-φ18	160
80	310	195	160	135	22	8-φ18	169
100	350	230	190	160	24	8-φ23	194
125	400	270	220	180	28	8-φ25	222
150	480	300	250	218	30	8-φ25	255
200	600	360	310	278	34	12-φ25	305
250	730	425	370	332	36	12-φ30	355
300	850	485	430	390	40	16-φ30	410

H44H(Y)-16~25P/R/I



产品执行标准 Production enforce standard

产品规范 Product Specification	设计规范 Design Spec	结构长度 Face to Face	连接法兰 Flange End	试验与检验 Test Check	压力-温度 Pressure-Temp	产品标识 Marking	供货规范 Supply
	GB 12236	GB 12221	GB9113 JB79	GB/T13927 JB/T9092	GB 9131	GB/T12220	JB/T7928

主要外形和连接尺寸 Main External and Connection Dimension

公称通径 DN	主要外形尺寸和连接尺寸 (mm) Main external and connecting dimensions						
	L	D	D1	D2	b	Z-φd	H
H44H-16C H44W-16C H44W-16P H44W-16R H44W-16I							
50	230	160	125	100	16	4-φ18	135
65	290	180	145	120	18	4-φ18	142
80	310	195	160	135	20	8-φ18	165
100	350	215	180	155	20	8-φ18	180
125	400	245	210	185	22	8-φ18	210
150	480	280	240	210	24	8-φ23	233
200	500	335	295	265	26	12-φ23	304
250	550	405	355	320	30	12-φ25	348
300	650	460	410	375	30	12-φ25	390
350	750	520	470	435	34	16-φ25	430
400	850	580	525	485	36	16-φ30	468
450	950	640	585	545	40	20-φ30	523
500	1025	705	650	608	44	20-φ34	525
H44W-25 H44W-25 H44W-25P H44W-25R H44W-25I							
50	230	160	125	100	20	4-φ18	160
65	290	180	145	120	22	8-φ18	175
80	310	195	160	135	22	8-φ18	185
100	350	230	190	160	24	8-φ23	220
125	400	270	220	188	28	8-φ25	248
150	480	300	250	218	30	8-φ25	276
200	550	360	310	278	34	12-φ25	350
250	650	425	370	332	36	12-φ30	410
300	750	485	430	390	40	16-φ30	430
350	850	550	490	448	44	16-φ34	518
400	950	610	550	505	48	16-φ34	560
450	1025	660	600	555	50	20-φ34	582
500	1150	730	660	610	52	20-φ41	618

H44H(Y)-40~64P/R/I

主要外形和连接尺寸 Main External and Connection Dimension

公称通径 DN	主要外形尺寸和连接尺寸 (mm) Main external and connecting dimensions									
	L	D	D1	D2	D6	b	f	f2	Z-φd	H
H44H-40 H44W-40 H44W-40P H44W-40R H44W-40I										
50	230	160	125	100	88	20	3	4	4-φ18	169
65	290	180	145	120	110	22	3	4	8-φ18	173
80	310	195	160	135	121	22	3	4	8-φ18	185
100	350	230	190	160	150	24	3	4.5	8-φ23	220
125	400	270	220	188	176	28	3	4.5	8-φ25	248
150	480	300	250	218	204	30	3	4.5	8-φ25	270
200	550	375	320	282	260	38	3	4.5	12-φ30	342
250	650	445	385	345	313	42	3	4.5	12-φ34	401
300	750	510	450	408	364	46	4	4.5	16-φ34	423
350	850	570	510	465	422	52	4	5	16-φ34	455
400	950	655	585	535	474	58	4	5	16-φ41	510

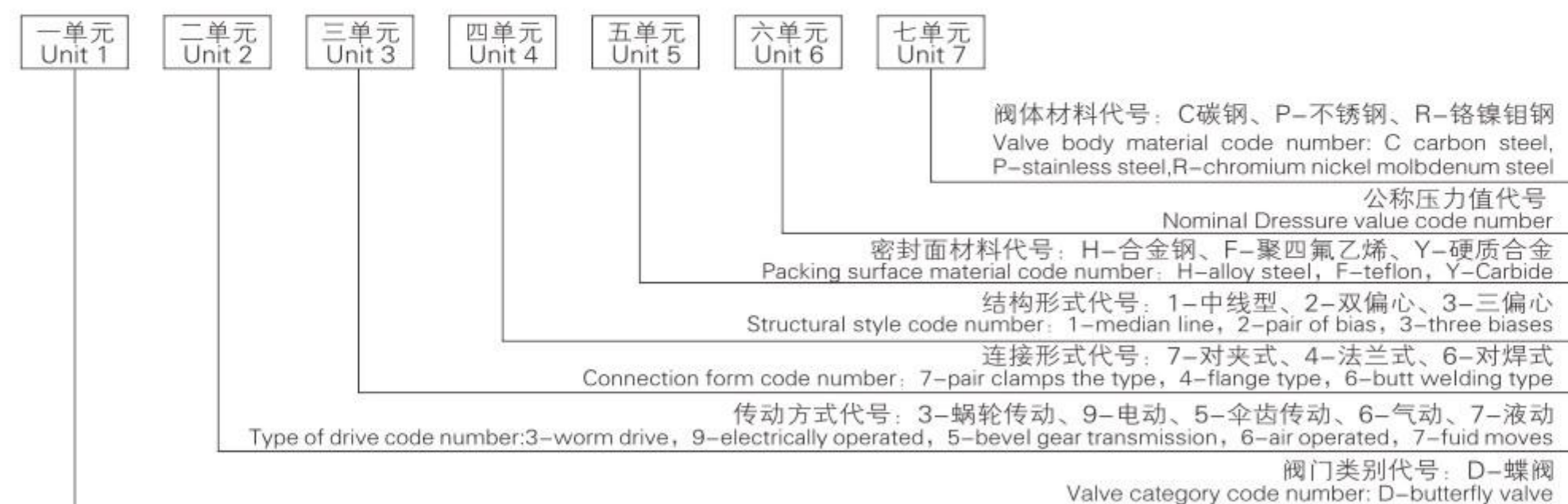
主要外形和连接尺寸 Main External and Connection Dimension

公称通径 DN	主要外形尺寸和连接尺寸 (mm) Main external and connecting dimensions									
	L	D	D1	D2	D6	b	f	f2	Z-φd	H
H44H-64 H44W-64 H44W-64P H44W-64R H44W-64I										
50	300	175	135	105	88	26	3	4	4-φ23	177
65	340	200	160	130	110	28	3	4	8-φ23	197
80	380	210	170	140	121	30	3	4	8-φ23	212
100	430	250	200	168	150	32	3	4.5	8-φ25	248
125	500	295	240	202	176	36	3	4.5	8-φ30	296
150	550	340	280	240	204	38	3	4.5	8-φ34	330
200	650	405	345	300	260	44	3	4.5	12-φ34	385
250	775	470	400	352	313	48	3	4.5	12-φ41	445
300	900	530	460	412	364	54	4	4.5	16-φ41	474
350	1025	595	525	475	422	60	4	5	16-φ41	514
400	1150	670	585	525	474	66	4	5	16-φ48	616

蝶阀产品型号表示方法

Butterfly valve product model expression method

蝶阀产品型号表示方法 Butterfly valve product model expression method



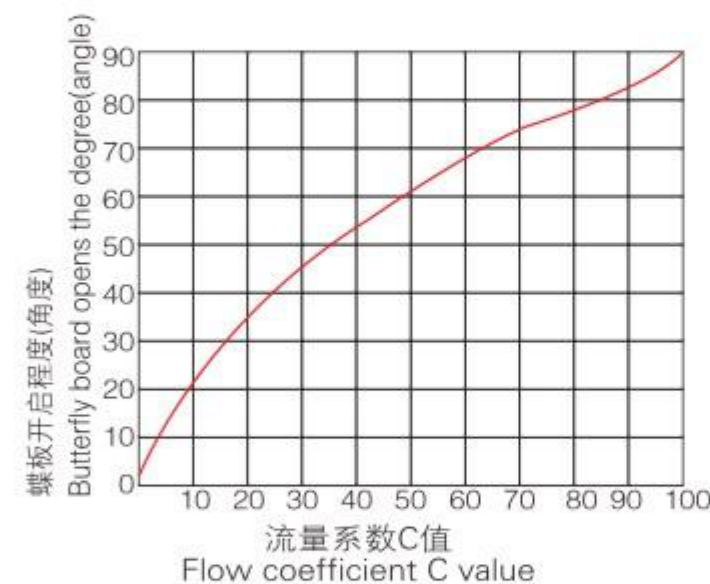
- 注: 1、在类别前加“D”低温($\leq -40^{\circ}\text{C}$)、“B”保温、“S”伸缩蝶阀、“TL”脱硫蝶阀;
2、手柄的手动传动, 第二单元无需代号;
3、第五单元的阀座材料与阀体相同(即无需堆焊其它金属)时, 用W表示;
4、对于公称压力小于或等于1.6MPa的灰口铸铁阀门和公称压力大于或等于2.5MPa的碳素钢阀门, 第七单元可以省略不标。

示例: D973F-16C表示三偏心对夹式电动四氟密封蝶阀, 公称压力1.6MPa, 碳钢阀体, 密封面嵌聚四氟乙烯。
示例: BD343H-25表示三偏心法兰式蜗轮传动金属硬密封保温蝶阀, 公称压力2.5MPa, 碳钢阀体, 密封面堆焊合金钢(一般为D507 钼)。
示例: D43Y-10P表示三偏心法兰式手柄传动金属硬密封蝶阀, 公称压力1.0MPa, 不锈钢阀体, 密封面堆焊硬质合金。

- Note: 1、Adds “D” in front of the category the IOW temperatu re($\leq -40^{\circ}\text{C}$) “B” the heat preservation, “S” expands and contracts the reed valve, “TL” the desulphurization reed valve;
2、Handle manual transmission. the second unit does not need the code number;
3、Fifth unit valve seat material and the valve body are same when(namely does not need welds other metals). with W indicated;
4、Is smaller than regarding the neminal pressure either was equal to 1.6MPa the gray cast iron valve and the nominal pressure is bigger than or was equal to 2.5MPa the carbon steel valve. The seventh unit may not abbreviate the sign.

Demonstration: D973F-16C expressed three biases to clamp the type electrically operated four fluorine seal butterfly valve. nominal pressure 1.6MPa, the carbon steel valve body, the packing surface inlay the teflon.
Demonstration: BD343H-25 expressed three eccentric flanges types worm drive metal hard seal heat preservation butlefly valve. nominal pressure 2.5MPa. the carbon steel valve body. the packing surface welds alloy steel(generally is the D507 molybdenum).
Demonstration: D43Y-10P expressed th ree eccentric flanges types handle transmission metal hardly seals the butterfly valve. nominal pressure 1.0MPa, the stainless steel valve body the packing surface welds hard alloy.

蝶阀流量特性曲线 Butterfly valve flow characteristic curve



流量系数表 Flow Coefficient Table

公称通径(mm) Nominal diameter	50	65	80	100	125	150	200	250
流量系数 Current capacity coefficient	62.2	108.2	183.6	195.5	486	706	1250	2032
公称通径(mm) Nominal diameter	300	350	400	450	500	600	700	800
流量系数 Current capacity coefficient	2914	4110	5356	7062	8718	12540	17085	22315

注: 本表中的流量系数表示蝶阀处于全开状态, 蝶阀两端压力损失为 $1\text{Kg}/\text{cm}^2$, 流体密度为 $1\text{Kg}/\text{cm}^3$, 介质通过蝶阀的流量。其流量单位为: 立方米/小时。
Note: In this table discharge coefficient expressed the butterfly board is at all opens the condition, butterfly valve beginnings and ends pressure loss is the $1\text{Kg}/\text{cm}^2$, fluid density is the $1\text{Kg}/\text{cm}^3$, medium passes butterfly valve the current capacity, Its current capacity is: Cubic meter/hour.

特点及用途 Features and usage

三偏心多层次金属硬密封蝶阀系列是我公司新开发的长寿命、无泄漏、节能型蝶阀。产品符合国家标准JB/T8527-97(金属硬密封蝶阀)、GB/T1 3927-2008(通用阀门压力试验)标准及阀门其它相关标准的规定, 结合国内外先进技术, 采用三维偏心原理设计。密封圈采用硬软密封兼具的多层次结构, 适用于介质温度 $\leq 600^{\circ}\text{C}$ 的冶金、电力、石油化工、空气、煤气、以及给排水等介质管道上作调节流量和截断流体, 密封性能可靠, 是通用蝶阀向中高压、中高温领域的延伸和发展。

在此结构基础上, 可采用聚四氟乙烯替代多层次密封圈, 形成新一代三偏心四氟密封蝶阀, 广泛应用在温度 $\leq 200^{\circ}\text{C}$ 的腐蚀性介质环境中。

Three biased multi-level metals hard seal butterfly valve series, is the long life which the our company newly develops, the energy conservation butterfly valve. The product conforms to national standard JB/T8527-97(metal hardly to seal reed valve), GB/T13927-2008 (general valve pressure test) the standard and the valve other correlation standards stipulations, unifies the domestic and foreign advanced technologies, uses the three dimensional eccentric principle design, the seal packing collar uses hardy softly seals the concurrently multi-level structure, is suitable to the medium temperature $\leq 600^{\circ}\text{C}$ metallurgy, the electric power, the petroleum chemical industry, the air, the coal gas, as well as for medium pipeline on and so on the draining water makes the adjustment current capacity and the interruption fluid, the sealing property is reliable, is the general reed valve presses, center high temperature domain extending to the center with the development.

In this structure foundation, may use the teflon to substitute the multi-level seal packing collar, forms the new generation of three biased four fluorine seals reed valves, widespread application in temperature $\leq 200^{\circ}\text{C}$ corrosive medium environment.

特点 Features

- 1、蝶板密封圈为硬软双层, 具有硬软密封双重密封优点, 无论在低温还是高温工况下, 均具有优良的密封性能。
- 2、采用三偏心结构, 阀座与蝶板几乎无摩擦。具有越关越紧的密封性能, 达到零泄漏。
- 3、启闭力矩小、操作灵活、省力节能, 使用寿命更长。
- 4、耐高温、耐高压、耐腐蚀适用范围广。
- 5、新一代三偏心四氟密封蝶阀兼具了三偏心密封结构与软密封的优点, 密封性能更加可靠, 适用范围更广, 使用寿命更长。
- 6、电动、气动装置采用国内外名优产品, 性能更可靠(可由用户指定)。

- 1、The butterfly board seal packing collar for hard is soft double-decked, has the hard soft seal dual seal merit, regardless of in the low temperature or under the high temperature operating mode, has the fine sealing property.
- 2、Uses three eccentric structures, the valve seat and the butterfly board nearly no friction, has the pass tighter sealing property, achieved zero divulges.
- 3、Opens shuts the moment of force slightly, the operation nimble, the vigor energy conservation, the service life is longer.
- 4、Thermostable, bears the high pressure, the air-corrosive applicable scope is broad.
- 5、the new generation of three biased four fluorine seals reed valve concurrently has had three biased seals structure and the soft seal merit, the sealing property more reliable, the applicable scope broader, the service life is longer.
- 6、electrically operated, the pneumatics uses the domestic and foreign famous products, the performance is more reliable (may assign by user).

采用标准 Applicable standard

标准所属国家 Standard respective country	制造标准 Manufacture standard	法兰标准 Flange standard	结构长度标准 Face to face standard	检验标准 Inspection standard
中国 GB	GB/T12238-2008	GB/T9113.1-2000	GB/T12221-2005	GB/T13927-2008
美国 API	API 609-91 ANSI B16.34-96	ANSI B165a-92 MSS-SP-44	ANSI B16.10-92	API 598-94
日本 JIS	JIS B2064-84	JIS B2212-2216	JIS B2002-87	FIS B2003-87

注: 可按用户要求采用其它的标准加工产品或加工非标类蝶阀
Note: May use other standard processing products according to the user request or process the non-sign class butterfly valve

主要零部件材料 Material for main parts

零件名称 Parts name	零件材料 Parts material
阀体 Body	碳钢、不锈钢、铬钼钢、合金钢 Carbon steel、Stainless steel、Cr-Mo steel、Alloy steel
蝶板 Disc	碳钢、不锈钢、铬钼钢、合金钢 Carbon steel、Stainless steel、Cr-Mo steel、Alloy steel
密封圈 Seal ring	316不锈钢+柔性石墨、聚四氟乙烯 316 stainless steel+flexible graphite、Teflon
阀杆 Stem	2Cr13、不锈钢、铬钼钢 Stainless steel、Cr-Mo steel
填料 Packing	柔性石墨、聚四氟乙烯 Flexible graphite、Teflon

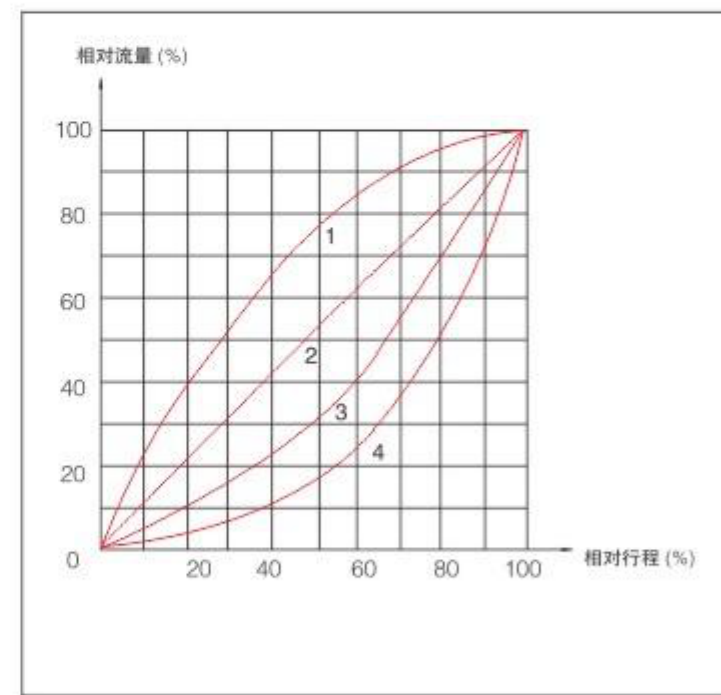
备注Note: 铸钢: WCB, 合金钢: WC6、WC9, 铬钼钢: ZG1Cr5Mo、ZG20GrMo, 不锈钢: CF8、CF8M、CF3、CF3M

主要技术参数 Main technical parameter

公称通径 Nominal diameter	DN(mm)	100~3000				100~600
公称压力 Nominal pressure	PN(Mpa)	0.6	1.0	1.6	2.5	4.0
试验压力 Test pressure	壳体强度试验 Shell structural testing	0.9	1.5	2.4	3.75	6.0
	密封试验 Seal test	0.66	1.1	1.76	2.75	4.4
	气密封试验 Air test	0.6	0.6	0.6	0.6	0.6
适用介质 Applicable medium	水、蒸汽、油品、酸碱腐蚀性介质等及粉尘颗粒物 Water, steam, oil quality, acids corrosive medium and so on and dust pellet					
适用温度 Applicable temperature	$-29^{\circ}\text{C} \leq$ 碳钢 Carbon steel $\leq 425^{\circ}\text{C}$ 、 $-196^{\circ}\text{C} \leq$ 不锈钢 Stainless steel $\leq 600^{\circ}\text{C}$ 、铬钼钢 Cr-Mo steel $\leq 550^{\circ}\text{C}$					
驱动方式 Actuation form	手动、电动、气动、电液动 Handle, worm gear, electrically operated, air operated					

阀门流通能力和流量特性

Electrically operated steel system flange gate valve



1.快开 2.直线
3.抛物线 4.对数

阀门的流量特性:

阀门的流量特性有固有流量特性和工作流量特性。固有流量是指阀前后压差不变情况下，阀门的相对行程（即相对开度）与通过阀门的相对流量之间的关系。固有流量特性主要有：直线、等百分比、抛物线、快开四种。工作流量特性是指在实际使用时，阀门前后压差总是变化的流量特性。我公司生产的蝶阀固有流量特性为快开特性；调节蝶阀为近似等百分比特性。

阀门流通能力:

阀门的流量系数是衡量流通能力的指标，流量系数随阀门型式、结构、通径而变化。常用的流量系数KV定义如下：温度5℃至40℃的水，在105Pa压降下，流过阀门的每小时立方米数。值的计算式： $KV=Q\sqrt{\Delta p}$ 中KV流量系数、Q体积流量（m³/h）， Δp 阀门的压力损失（bar）， ρ 流体密度（kg/m³）。调节阀的流量系数，可以在实验室测定，其额定值样本中已给出，蝶阀通径大，实验测定比较困难，往往采用计算法。

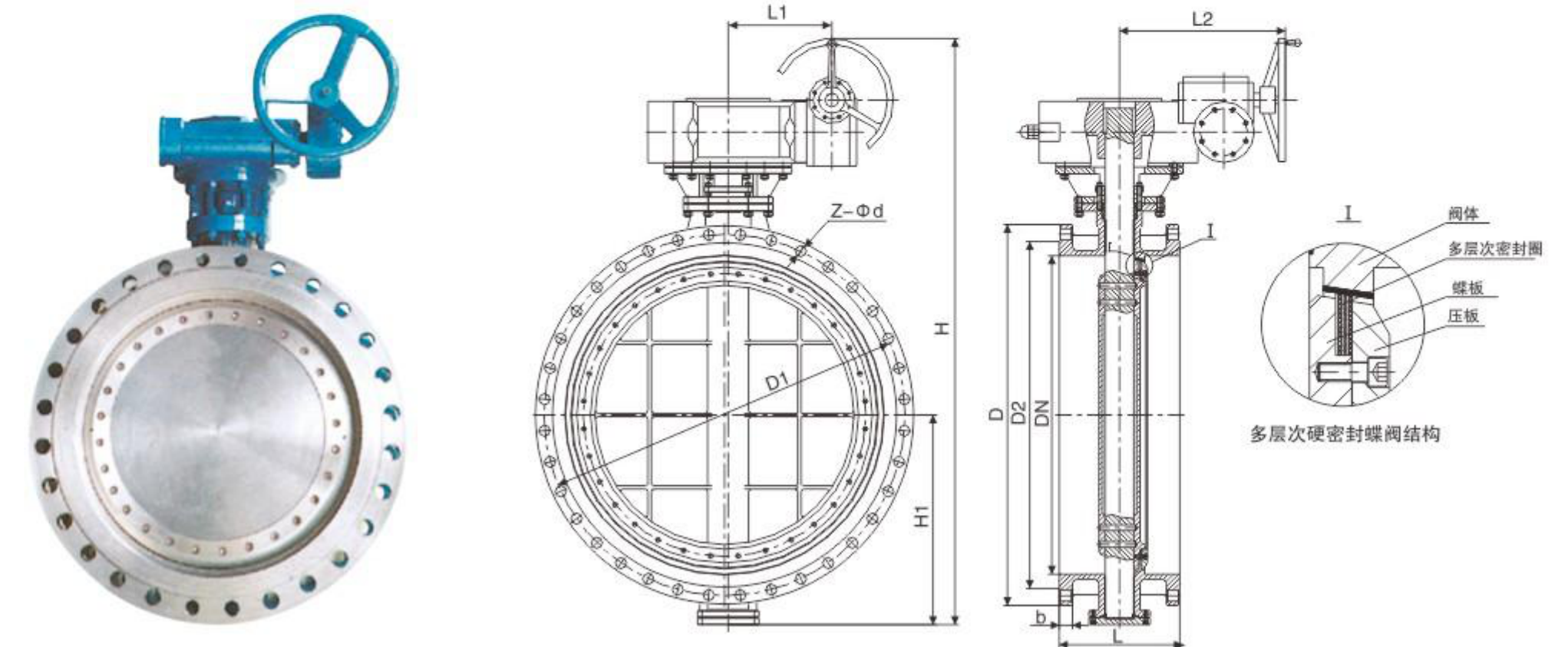
下表是根据美国 Fisher 公司蝶阀资料换算来的蝶阀KV值，我公司生产的蝶阀流通能与此表相符，可供参考。

蝶阀的KV值表

DN	开度				DN	开度			
	60°	70°	80°	90°		60°	70°	80°	90°
100	240	344	423	464	600	8841	12814	17656	19746
150	549	802	1090	1204	750	13872	20287	28122	31966
200	1000	1445	1905	2098	900	19823	29839	40162	46010
250	1585	2292	3074	3385	1050	26987	39457	54954	63382
300	2304	3332	4518	4976	1200	35750	52030	74412	83250
350	2900	4205	5676	6324	1350	45494	66418	92278	106040
400	3822	5579	7620	8530	1500	56190	81958	114380	133390
450	4902	7147	9847	10879	1650	68284	99760	139320	160820
500	6020	8746	12040	13410	1800	81958	119370	161680	192980

三偏心多层次金属硬密封四氟密封蜗轮传动法兰式蝶阀

Three-eccentric multi-layer Metal-to-metal PTFE worm gear flange type butterfly valve



外型及连接尺寸 D343^H-PN2.5 (DN50-2000) Contour and connection size

公称通径 DN(mm) Nominal diameter	L		主要外型及连接尺寸(mm) Main contour and connection size								
			H1	D343H				PN0.25MPa			
	La	Lb		H	H	L1	L2	D	D1	D2	Z-φd
50	108	150	70	285	40	130	140	110	90	4-14	12
65	112	170	80	305	40	130	160	130	110	4-14	14
80	114	180	95	335	50	145	185/190	150	125	4-18	14
100	127	190	105	355	50	145	205/210	170	145	4-18	14
125	140	200	120	385	70	175	235/240	200	175	8-18	14
150	140	210	135	410	70	175	260/265	225	200	8-18	16
200	152	230	160	595	90	200	315/320	280	255	8-18	18
250	165	250	180	650	90	200	370/375	335	310	12-18	22
300	178	270	220	715	130	240	435/440	395	362	12-23	22
350	190	290	245	815	130	240	485/490	445	412	12-23	22
400	216	310	270	865	130	240	535/540	495	462	16-23	22
450	222	330	300	920	175	280	590/595	550	518	16-23	24
500	229	350	325	1015	175	280	640/645	600	568	20-23	24
600	267	390	380	1130	200	365	755	705	670	20-25/26	24
700	292	430	430	1235	200	365	860	810	775	24-25/26	26
800	318	470	490	1345	225	440	975	920	880	24-30	26
900	330	510	540	1560	225	440	1075	1020	980	24-30	28
1000	410	550	590	1660	290	490	1175	1120	1080	28-30	30
1200	470	630	690	1890	290	490	1375	1320	1280	32-30	30
1400	530	710	760	2670	290	490	1575	1520	1480	36-30	32
1600	600	790	900	2810	410	600	1785/1790	1730	1690	40-30	32
1800	670	870	1000	3020	500	600	1985	1930	1890	44-30	34
2000	760	950	1100	3220	500	800	2185	2130	2090	48-30	34

外型及连接尺寸 D343^H_F-PN6 (DN50-2000) Contour and connection size

公称通径 DN(mm) Nominal diameter	L		主要外型及连接尺寸(mm) Main contour and connection size								
			H1	D343H			PN0.6MPa				
	La	Lb		H	L1	L2	D	D1	D2	Z-Φd	b
50	108	150	85	320	40	130	140	110	90	4-14	16
65	112	170	90	350	40	130	160	130	110	4-14	16
80	114	180	100	370	50	145	185/190	150	125	4-18	18
100	127	190	125	400	50	145	205/210	170	145	4-18	18
125	140	200	135	460	70	175	235/240	200	175	8-18	20
150	140	210	175	510	70	175	260/265	225	200	8-18	20
200	152	230	220	610	90	200	315/320	280	255	8-18	22
250	165	250	265	680	90	200	370/375	335	310	12-18	24
300	178	270	295	760	130	240	435/440	395	362	12-23	24
350	190	290	330	850	130	240	485/490	445	412	12-23	24
400	216	310	370	900	130	240	535/540	495	462	16-23	24
450	222	330	395	980	175	280	590/595	550	518	16-23	24
500	229	350	430	1040	175	280	640/645	600	568	20-23	26
600	267	390	490	1180	200	365	755	705	670	20-25/26	30
700	292	430	545	1290	200	365	860	810	775	24-25/26	30
800	318	470	615	1420	225	440	975	920	880	24-30	30
900	330	510	700	1600	225	440	1075	1020	980	24-30	30
1000	410	550	715	1800	290	490	1175	1120	1080	28-30	30
1200	470	630	865	2100	290	490	1400	1340	1295	32-34	28
1400	530	710	950	2340	290	490	1620	1560	1510	36-36	32
1600	600	790	1070	2580	410	600	1820	1760	1710	40-36	34
1800	670	870	1200	2880	500	600	2045	1970	1910	44-39	36
2000	760	950	1320	3200	500	800	2265	2180	2110	48-42	38

外型及连接尺寸 D343^H_F-PN16 (DN50-2000) Contour and connection size

公称通径 DN(mm) Nominal diameter	L		主要外型及连接尺寸(mm) Main contour and connection size								
			H1	D343H			PN1.6MPa				
	La	Lb		H	L1	L2	D	D1	D2	Z-Φd	b
50	108	150	85	320	40	130	160/165	125	100	4-18	18
65	112	170	90	350	40	130	180/185	145	120	4-18	18
80	114	180	100	370	50	145	195/200	160	135	8-18	20
100	127	190	125	400	50	145	215/220	180	155	8-18	20
125	140	200	135	460	70	175	245/250	210	185	8-18	22
150	140	210	175	510	70	175	280/285	240	210	8-23	24
200	152	230	220	610	90	200	335/340	295	265	12-23	24
250	165	250	265	680	90	200	405	355	320	12-25/26	26
300	178	270	295	760	130	240	460	410	375	12-25/26	28
350	190	290	330	850	130	240	520	470	435	16-25/26	30
400	216	310	370	900	130	240	580	525	485	16-30	32
450	222	330	395	980	175	280	640	585	545	20-30	34
500	229	350	430	1040	175	280	705/715	650	605	20-34	36
600	267	390	490	1240	200	365	840	770	718	20-41/36	38
700	292	430	545	1350	200	365	910	840	788	24-41/36	40
800	318	470	615	1500	225	440	1020/1025	950	898	24-41	42
900	330	510	700	1700	225	440	1120/1125	1050	998	28-41	44
1000	410	550	815	1900	290	490	1255	1170	1110	28-42/48	46
1200	470	630	865	2120	290	490	1485	1390	1325	32-48/54	52
1400	530	710	950	2340	290	490	1685	1590	1525	36-48/54	58
1600	600	790	1070	2580	410	600	1930	1820	1750	40-58	64
1800	670	-	1200	2880	500	600	2130	2020	1950	44-56	68
2000	760	-	1350	3200	500	800	2345	2230	2150	48-62	70

外型及连接尺寸 D343^H_F-PN10 (DN50-2000) Contour and connection size

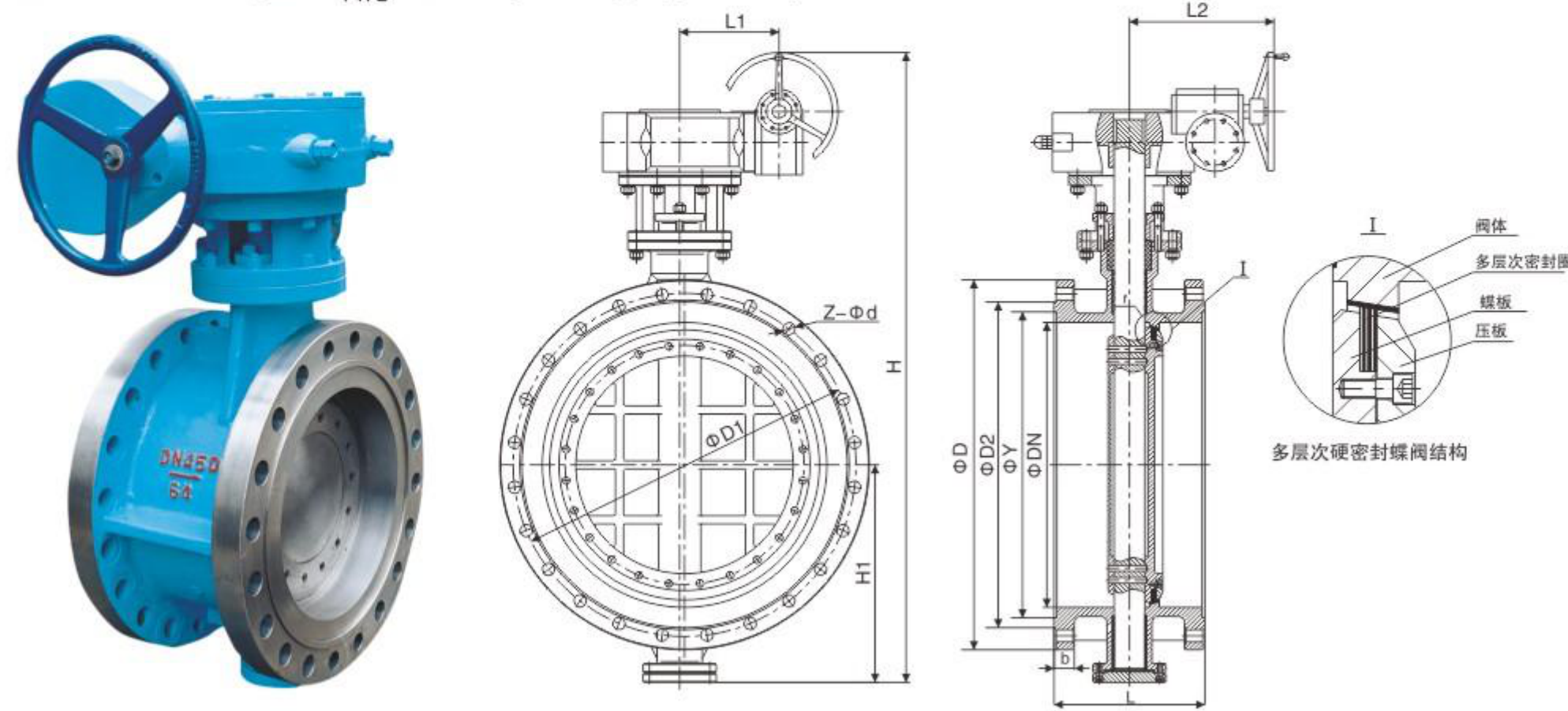
公称通径 DN(mm) Nominal diameter	L		主要外型及连接尺寸(mm) Main contour and connection size								
			H1	D343H			PN1.0MPa				
	La	Lb		H	L1	L2	D	D1	D2	Z-Φd	b
50	108	150	85	320	40	130	160/165	125	100	4-18	18
65	112	170	90	350	40	130	180/185	145	120	4-18	18
80	114	180	100	370	50	145	195/200	160	135	4-18	20
100	127	190	125	400	50	145	215/220	180	155	8-18	22
125	140	200	135	460	70	175	245/250	210	185	8-18	22
150	140	210	175	510	70	175	280/285	240	210	8-23	24
200	152	230	220	610	90	200	335/340	295	265	8-23	24
250	165	250	265	680	90	200	390/395	350	320	12-23	26
300	178	270	295	760	130	240	440/445	400	368	12-23	28
350	190	290	330	850	130	240	500/505	460	428	16-23	28
400	216	310	370	900	130	240	565	515	482	16-25/26	30
450	222	330	395	980	175	280	615	565	532	20-25/26	30
500	229	350	430	1040	175	280	670	620	585	20-25/26	32
600	267	390	490	1180	200	365	780	725	685	20-30	36
700	292	430	545	1290	200	365	895	840	800	24-30	36
800	318	470	615	1420	225	440	1010	950	905	24-34	38
900	330	510	700	1600	225	440	1110	1050	1005	28-34	38
1000	410	550	715	1800	290	490	1220	1160	1115	28-36	38
1200	470	630	865	2100	290	490	1450	1380	1325	32-39	40
1400	530	710	950	2340	290	490	1675	1590	1525	36-42	44
1600	600	790	1070	2580	410	600	1915	1820	1750	40-48	48
1800	670	870	1200	2880	500	600	2115	2020	1950	44-48	50
2000	760	950	1320	3200	500	800	2325	2230	2150	48-48	54

外型及连接尺寸 D343^H_F-PN25 (DN50-2000) Contour and connection size

公称通径 DN(mm) Nominal diameter	L		主要外型及连接尺寸(mm) Main contour and connection size								
			H1	D343H			PN2.5MPa				
	La	Lb		H	L1	L2	D	D1	D2	Z-Φd	b
50	108	150	85	320	40	130	160/165	125	100	4-18	20
65	112	170	90	350	40	130	180/185	145	120	4-18	22
80	114	180	100	370	50	145	195/200	160	135	8-18	22
100	127	190	125	400	50	145	230	190	160	8-23	24
125	140	200	135	460	70	175	270	220	188	8-25/26	28
150	140	210	175	510	70	175	300	250	218	8-25/26	30
200	152	230	220	610	90	200	360	310	278	12-25/26	34
250	165	250	265	680	90	200	425	370	332	12-30	36
300	178	270	295	760	130	240	485	430	390	16-30	40
350	190	290	330	850	130	240	550/555	490	448	16-34	44
400	216	310	370	900	130	240	610/620	550	505	16-34/36	46
450	222	330	395	980	175	280	660/670	600	555	20-34/36	48
500	229	350	430	1040	175	280	730	660	610	20-41/36	50
600	267	390	490	1240	200	365	840/845	770	718	20-39	50
700	292	430	545	1350	200	365	955/960	875	815	24-48/42	50
800	318	470	615	1500	225	440	1070/1085	990	930	24-48	54
900	330	510	700	1700	225	440	1180/1185	1090	1025	28-54/48	58
1000	410	550	815	1900	290	490	1305/1320	1210	1140	28-55	62
1200	470	630	865	2120	290	490	1525/1530	1420	1350	32-55	70
1400	530	710	950	2340	290	490	1750/1755	1640	1560	36-60	70
1600	-	-	-	-	-	-	-	-	-	-	-
1800	-	-	-	-	-	-	-	-	-	-	-
2000	-	-	-	-	-	-	-	-	-	-	-

三偏心多层次金属硬密封四氟密封蜗轮传动法兰式蝶阀

Three-eccentric multi-layer Meatal-to-metal PTFE worm gear flange type butterfly valve

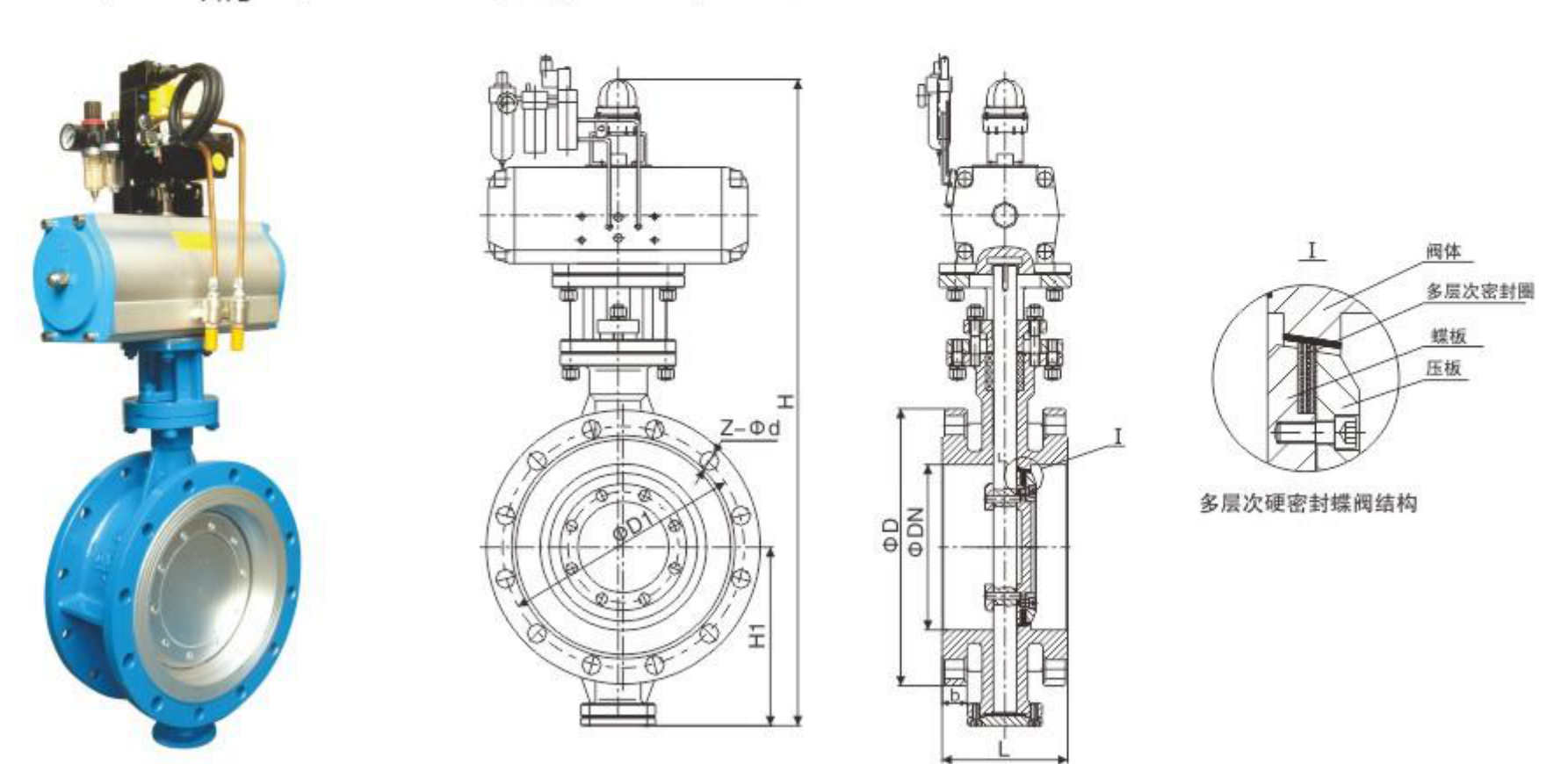


外型及连接尺寸 D343^H_F-PN40 (DN50-1000) Contour and connection size

公称通径 DN(mm) Nominal diameter	L		主要外型及连接尺寸(mm) Main contour and connection size											
	La	Lb	H1	D343H			PN4.0MPa							φ
				H	L1	L2	D	D1	D2	Y	f	Z-φd		
50	108	150	110	320	90	160	160/165	125	100	88	3	4-18	20	
65	112	170	110	320	90	160	180/185	145	120	110	3	8-18	22	
80	114	180	120	370	130	190	195/200	160	135	121	3	8-18	22	
100	127	190	145	370	130	190	230/235	190	160	150	3	8-23	24	
125	140	200	160	420	180	260	270	220	188	176	3	8-25/26	28	
150	140	210	195	505	180	260	300	250	218	204	3	8-25/26	30	
200	152	230	255	620	220	310	375	320	282	260	3	12-30	38	
250	165	250	280	680	260	310	445/450	385	345	313	4	12-34	42	
300	178	270	320	770	295	420	510/515	450	408	364	4	16-34	46	
350	190	290	365	885	320	410	570/580	510	465	422	4	16-34/36	52	
400	216	310	400	910	320	410	655/600	585	535	474	4	16-41	58	
450	222	330	430	980	340	-	680/685	610	560	524	4	20-41	60	
500	229	350	480	1060	340	515	755	670	612	576	5	20-48/42	62	
600	267	390	550	1315	360	55	890	795	730	678	5	20-54/48	62	
700	292	430	610	1480	435	630	995	900	835	778	5	24-54/48	68	
800	318	470	680	1660	580	820	1135/1140	1030	960	883	5	24-58	76	
900	-	-	-	-	-	-	-	-	-	-	-	-	-	
1000	-	-	-	-	-	-	-	-	-	-	-	-	-	

三偏心多层次金属硬密封气动法兰式蝶阀

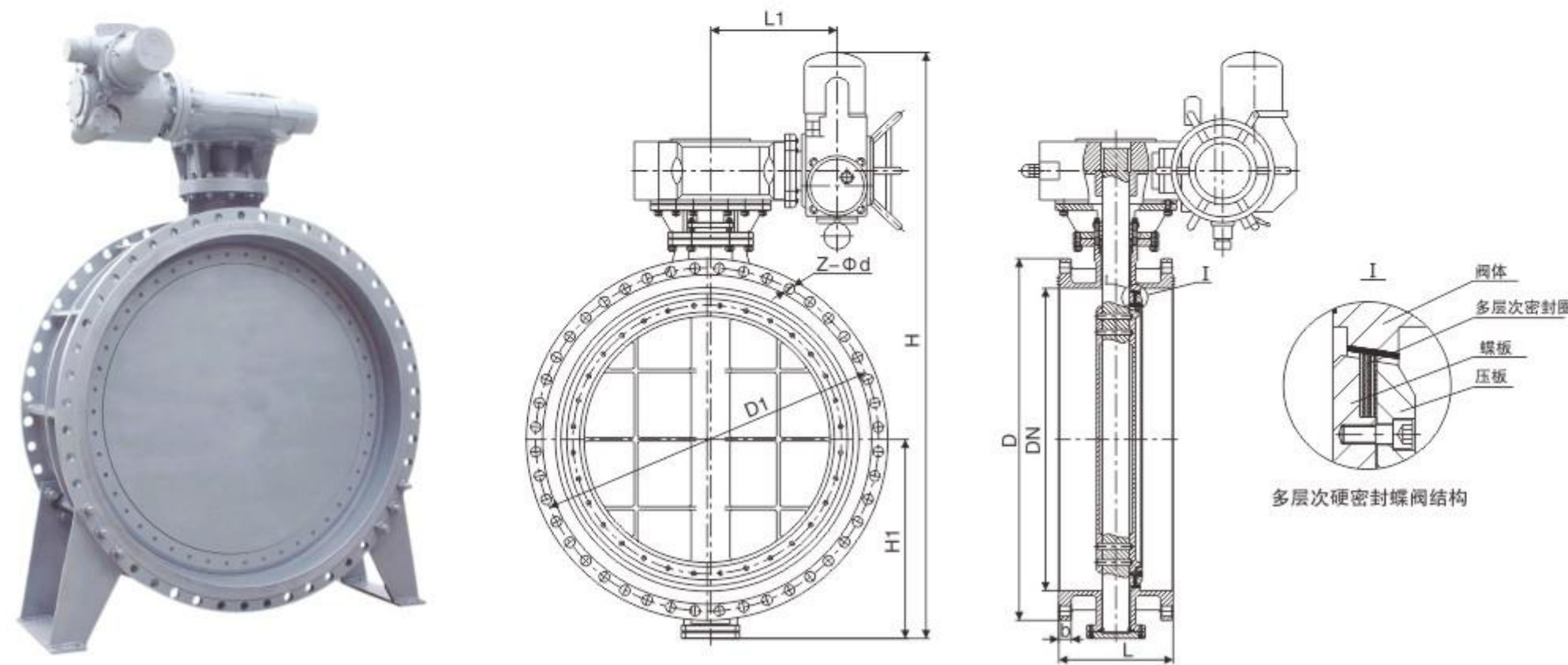
Three-eccentric multi-layer Meatal-to-metal PTFE pneumatic flange type butterfly valve



外型及连接尺寸 D643^H_F-PN6、10、16、25 (DN50-2000) Contour and connection size

公称通径 DN(mm) Nominal diameter	主要外型及连接尺寸(mm) Main contour and connection size																			
	L		H	H1	PN0.6MPa				PN1.0MPa				PN1.6MPa				PN2.5MPa			
	La	Lb			D	D1	b	Z-φd	D	D1	b	Z-φd	D	D1	b	Z-φd	D	D1	b	Z-φd
50	108	150	340	255	140	110	16	4-14	160	125	18	4-18	160	125	18	4-18	160	125	20	4-18
65	112	170	360	270	160	130	16	4-14	180	145	18	4-18	180	145	18	4-18	180	145	22	8-18
80	114	180	370	280	185	150	18	4-18	195	160	20	4-18	195	160	20	8-18	195	160	22	8-18
100	127	190	390	290	205	170	18	4-18	215	180	22	8-18	215	180	20	8-18	230	190	24	8-23
125	140	200	440	310	235	200	20	8-18	245	210	22	8-18	245	210	22	8-18	270	220	28	8-25
150	140	210	490	340	260	225	20	8-18	280	240	24	8-23	280	240	24	8-23	300	250	30	8-25
200	152	230	600	390	315	280	22	8-18	335	295	24	8-23	335	295	24	12-23	360	310	34	12-25
250	165	250	760	480	370	335	24	12-18	390	350	26	12-23	405	355	26	12-25	425	370	36	12-30
300	178	270	840	540	435	395	24	12-23	440	400	28	12-23	460	410	28	12-25	485	430	40	16-30
350	190	290	950	620	485	445	24	12-23	500	460	28	16-23	520	470	30	16-25	550	490	44	16-34
400	216	310	1030	660	535	495	24	16-23	565	515	30	16-25	580	525	32	16-30	610	550	46	16-34
450	222	330	1120	720	590	550	24	16-23	615	565	30	20-25	640	585	34	20-30	660	600	48	20-34
500	229	350	1200	770	640	600	26	20-23	670	620	32	20-25	705	650	36	20-34	730	660	50	20-41
600	267	390	1350	860	755	705	30	20-25	780	725	36	20-30	840	770	38	20-41	840	770	50	20-39
700	292	430	1480	940	860	810	30	24-25	895	840	36	24-30	910	840	40	24-41	955	875	50	24-48
800	318	470	1620	1010	975	920	30	24-30	1010	950	38	24-34	1020	950	42	24-41	1070	990	54	24-48
900	330	510	1780	1080	1075	1020	30	24-30	1110	1050	38	28-34	1120	1050	44	28-41	1180	1090	58	28-54
1000	410	550	2000	1280	1175	1120	30	28-30	1220	1160	38	28-36	1255	1170	46	28-42	1305	1210	62	28-55
1200	470	630	2400	1540	1400	1340	28	32-34	1450	1380	40	32-39	1485	1390	52	32-48	1525	1420	70	32-55

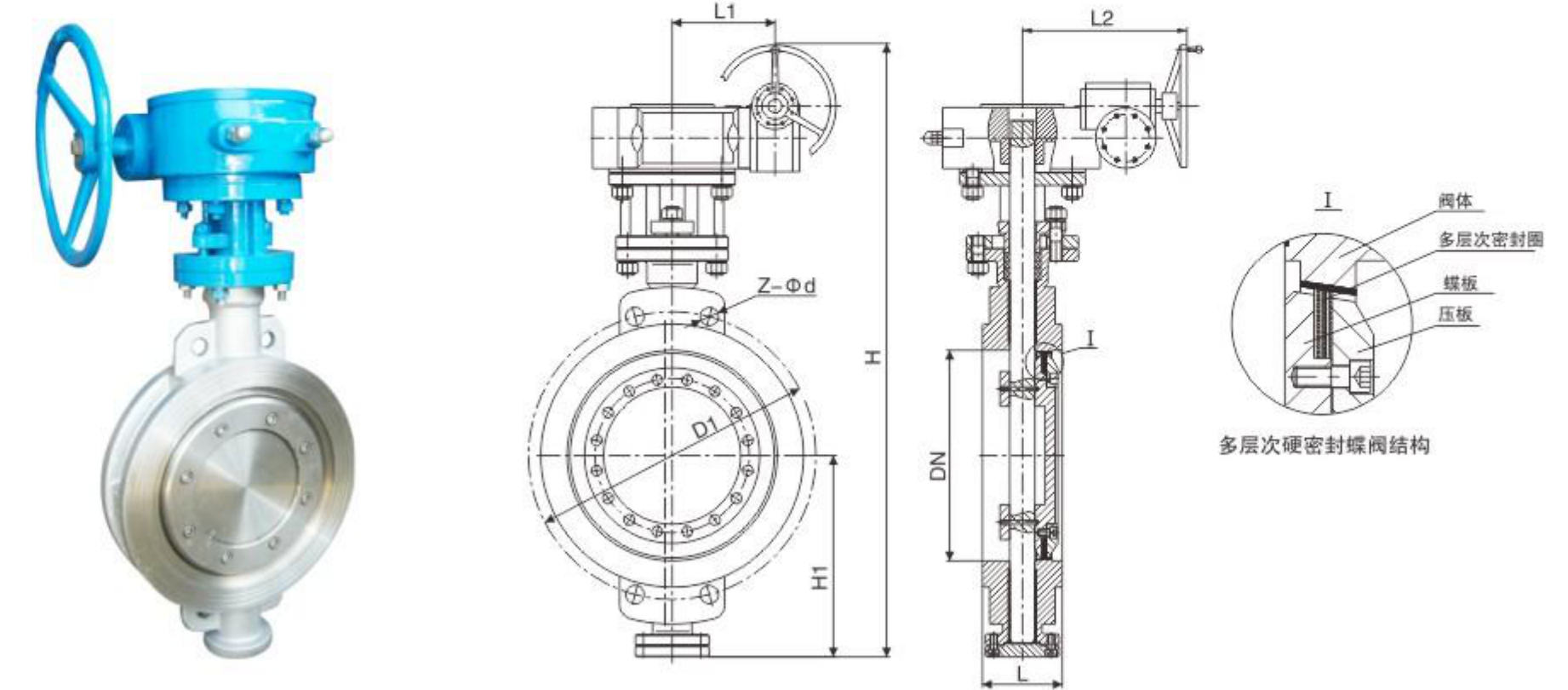
三偏心多层次金属硬密封四氟密封电动法兰式蝶阀
Three-eccentric multi-layer Meatal-to-metal PTFE electric flange type butterfly valve



外型及连接尺寸 D943^H_F-PN6、10、16、25 (DN50-2000) Contour and connection size

公称通径 DN(mm) Nominal diameter	L		主要外型及连接尺寸(mm) Main contour and connection size																		
			L1	H	H1	PN0.6MPa				PN1.0MPa				PN1.6MPa				PN2.5MPa			
	La	Lb				D	D1	b	Z-Φd	D	D1	b	Z-Φd	D	D1	b	Z-Φd	D	D1	b	Z-Φd
50	108	150	160	340	240	140	110	16	4-14	160	125	18	4-18	160	125	18	4-18	160	125	20	4-18
65	112	170	160	340	260	160	130	16	4-14	180	145	18	4-18	180	145	18	4-18	180	145	22	8-18
80	114	180	178	460	260	185	150	18	4-18	195	160	20	4-18	195	160	20	8-18	195	160	22	8-18
100	127	190	178	490	290	205	170	18	4-18	215	180	22	8-18	215	180	20	8-18	230	190	24	8-23
125	140	200	178	550	310	235	200	20	8-18	245	210	22	8-18	245	210	22	8-18	270	220	28	8-25
150	140	210	178	590	340	260	225	20	8-18	280	240	24	8-23	280	240	24	8-23	300	250	30	8-25
200	152	230	419	690	370	315	280	22	8-18	335	295	24	8-23	335	295	24	12-23	360	310	34	12-25
250	165	250	419	730	400	370	335	24	12-18	390	350	26	12-23	405	355	26	12-25	425	370	36	12-30
300	178	270	437	810	460	435	395	24	12-23	440	400	28	12-23	460	410	28	12-25	485	430	40	16-30
350	190	290	460	890	500	485	445	24	12-23	500	460	28	16-23	520	470	30	16-25	550	490	44	16-34
400	216	310	470	950	520	535	495	24	16-23	565	515	30	16-25	580	525	32	16-30	610	550	46	16-34
450	222	330	490	1050	571	590	550	24	16-23	615	565	30	20-25	640	585	34	20-30	660	600	48	20-34
500	229	350	510	1180	610	640	600	26	20-23	670	620	32	20-25	705	650	36	20-34	730	660	50	20-41
600	267	390	650	1360	795	755	705	30	20-25	780	725	36	20-30	840	770	38	20-41	840	770	50	20-39
700	292	430	750	1480	850	860	810	30	24-25	895	840	36	24-30	910	840	40	24-41	955	875	50	24-48
800	318	470	750	1600	945	975	920	30	24-30	1010	950	38	24-34	1020	950	42	24-41	1070	990	54	24-48
900	330	510	840	1780	1000	1075	1020	30	24-30	1110	1050	38	28-34	1120	1050	44	28-41	1180	1090	58	28-54
1000	410	550	840	1900	1250	1175	1120	30	28-30	1220	1160	38	28-36	1255	1170	46	28-42	1305	1210	62	28-55
1200	470	630	840	2270	1260	1400	1340	28	32-34	1450	1380	40	32-39	1485	1390	52	32-48	1525	1420	70	32-55
1400	530	710	1190	2480	1390	1620	1560	32	36-36	1675	1590	44	36-42	1685	1590	58	36-48	1750	1640	70	36-60
1600	600	790	1190	2690	1510	1820	1760	34	40-36	1915	1820	48	40-48	1930	1820	64	40-58	-	-	-	-
1800	670	870	1190	3000	1680	2045	1970	36	44-39	2115	2020	50	44-48	2130	2020	68	44-56	-	-	-	-
2000	760	950	1190	3400	1850	2265	2180	38	48-42	2325	2230	54	48-48	2345	2230	70	48-62	-	-	-	-

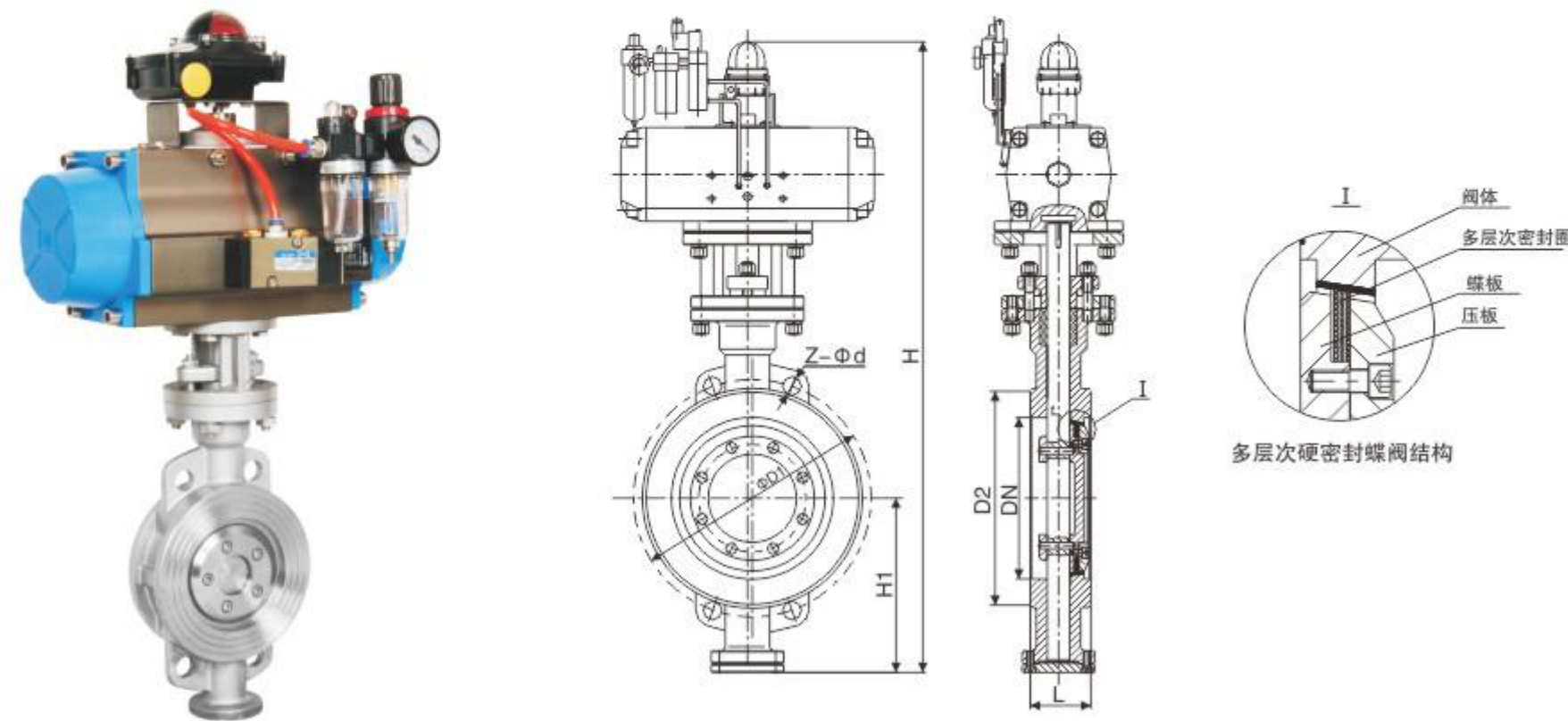
三偏心多层次金属硬密封蜗轮传动对夹式蝶阀
Three-eccentric multi-layer Meatal-to-metal PTFE worm gear wafer type butterfly valve



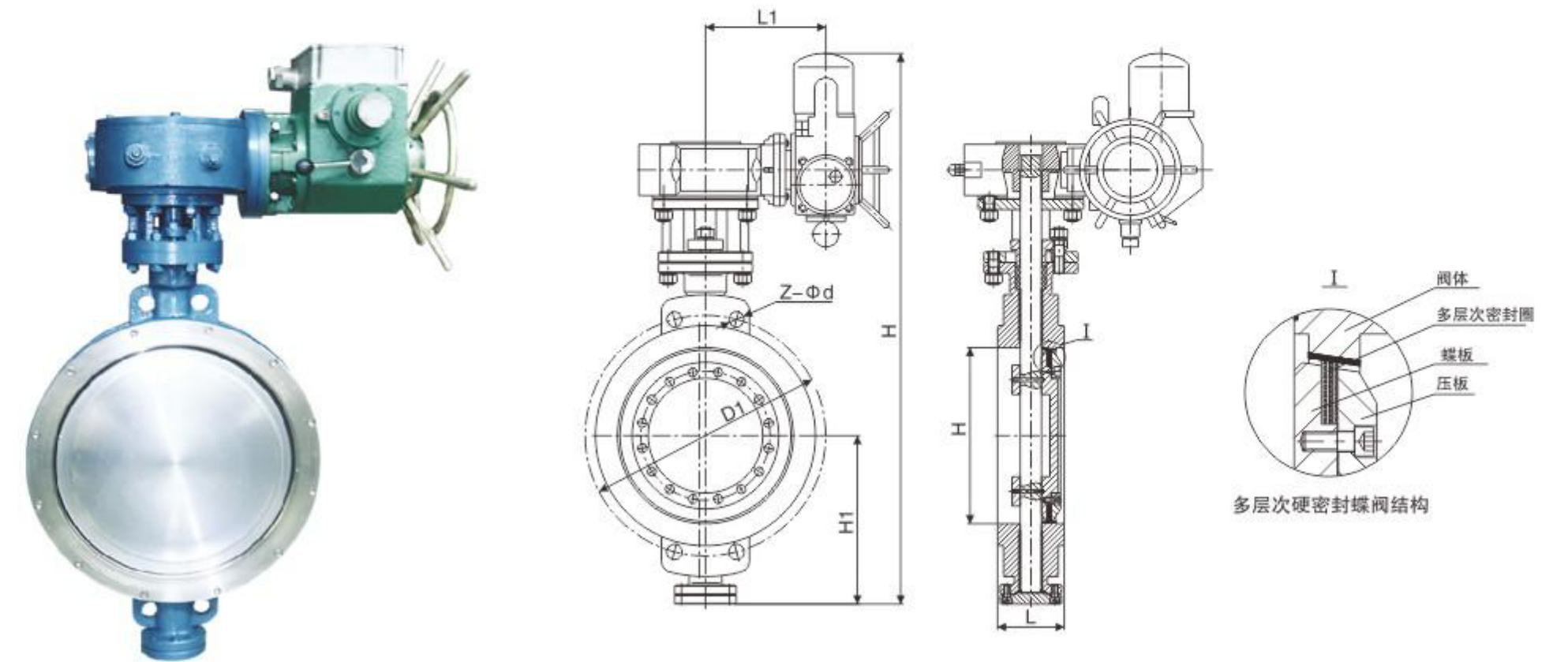
外型及连接尺寸 D373^H_F-PN6、10、16、25 (DN50-1200) Contour and connection size

公称通径 DN(mm) Nominal diameter	L		主要外型及连接尺寸(mm) Main contour and connection size													
			H1	D373H		PN0.6MPa		PN1.0MPa		PN1.6MPa		PN2.5MPa		PN4.0MPa		
	La	Lb		H	L1	L2	D1	Z-Φd	D1	Z-Φd	D1	Z-Φd	D1	Z-Φd	D1	Z-Φd
50	43	43	85	320	40	130	110	4-14	125	4-18	125	4-18	125	4-18	125	4-18
65	46	46	95	350	40	130	130	4-14	145	4-18	145	4-18	145	8-18	145	8-18
80	49	64	100	370	50	145	150	4-18	160	4-18	160	8-18	160	8-18	160	8-18
100	56	64	125	400	50	145	170	4-18	180	8-18	180	8-18	190	8-23	190	8-23
125	64	70	135	460	70	175	200	8-18	210	8-18	210	8-18	220	8-25	220	8-25
150	70	76	175	510	70	175	225	8-18	240	8-23	240	8-23	250	8-25	250	8-25
200	71	89	220	610	90	200	280	8-18	295	8-23	295	12-23	310	12-25	320	12-30
250	76	114	265	680	90	200	335	12-18	350	12-23	355	12-25	370	12-30	385	12-34
300	83	114	295	760	130	240	395	12-23	400	12-23	410	12-25	430	16-30	450	16-34
350	92	127	330	850	130	240	445	12-23	460	16-23	470	16-25	490	16-34	510	16-34
400	102	140	370	900	130	240	495	16-23	515	16-25	525	16-30	550	16-34	585	16-41
450	114	152	395	980	175	280	550	16-23	565	20-25	585	20-30	600	20-34	610	20-41
500	127	152	430	1040	175	280	600	20-23	620	20-25	650	20-34	660	20-41	670	20-48
600	154	178	490	1180	200	365	705	20-25	725	20-30	770	20-41	770	20-41	795	20-54
700	165	229	545	1290	200	365	810	24-25	840	24-30	840	24-41	875	24-48	900	24-54/
800	190	241	615	1420	225	440	920	24-30	950	24-34	950	24-39	990	24-48	1030	24-58
900	203	241	700	1600	225	440	1020	24-30	1050	28-34	1050	28-39	1090	28-54	-	-
1000	216	300	715	1800	290	490	1120	28-30	1160	28-36	1170	28-42	1210	28-58	-	-
1200	254	360	865	2100	290	490	1340	32-34	1380	32-39	1390	32-48	1420	32-58	-	-

三偏心多层次金属硬密封气动法兰式蝶阀
Three-eccentric multi-layer Meatel-to-metal pneumatic flange type butterfly valve



三偏心多层次金属硬密封电动对夹式蝶阀
Three-eccentric multi-layer Meatel-to-metal electric wafer type butterfly valve



外型及连接尺寸 D673^H_F-PN6、10、16、25 (DN50-2000) Contour and connection size

公称通径 DN(mm) Nominal diameter	L		主要外型及连接尺寸(mm) Main contour and connection size													
			H	H1	PN0.6MPa			PN1.0MPa			PN1.6MPa			PN2.5MPa		
	La	Lb			D1	D2	Z-Φd	D1	D2	Z-Φd	D1	D2	Z-Φd	D1	D2	Z-Φd
50	43	43	340	255	110	90	4-14	125	100	4-18	125	100	4-18	125	100	4-18
65	46	46	360	270	130	110	4-14	145	120	4-18	145	120	4-18	145	120	8-18
80	49	64	370	280	150	125	4-18	160	135	4-18	160	135	8-18	160	135	8-18
100	56	64	390	290	170	145	4-18	180	155	8-18	180	155	8-18	190	160	8-23
125	64	70	440	310	200	175	8-18	210	185	8-18	210	185	8-18	220	188	8-25
150	70	76	490	340	225	200	8-18	240	210	8-23	240	210	8-23	250	218	8-25
200	71	89	600	390	280	255	8-18	295	265	8-23	295	265	12-23	310	278	12-25
250	76	114	760	480	335	310	12-18	350	320	12-23	355	320	12-25	370	332	12-30
300	83	114	840	540	395	362	12-23	400	368	12-23	410	375	12-25	430	390	16-30
350	92	127	950	620	445	412	12-23	460	428	16-23	470	435	16-25	490	448	16-34
400	102	140	1030	660	495	462	16-23	515	482	16-25	525	485	16-30	550	505	16-34
450	114	152	1120	720	550	518	16-23	565	532	20-25	585	545	20-30	600	555	20-34
500	127	152	1200	770	600	568	20-23	620	585	20-25	650	608	20-34	660	610	20-41
600	154	178	1350	860	705	670	20-25	725	685	20-30	770	718	20-41	770	718	20-41
700	165	229	1480	940	810	775	24-25	840	800	24-30	840	788	24-41	875	815	24-48
800	190	241	1620	1010	920	880	24-30	950	905	24-34	950	898	24-39	990	930	24-48
900	203	241	1780	1080	1020	980	24-30	1050	1005	28-34	1050	998	28-39	1090	1025	28-54
1000	216	300	2000	1280	1120	1080	28-30	1160	1115	28-36	1170	1110	28-42	1210	1140	28-58
1200	254	360	2400	1540	1340	1295	32-34	1380	1325	32-39	1390	1325	32-48	1420	1350	32-58

外型及连接尺寸 D973^H_F-PN6、10、16、25 (DN50-2000) Contour and connection size

公称通径 DN(mm) Nominal diameter	L		主要外型及连接尺寸(mm) Main contour and connection size													
			L1	H	H1	PN0.6MPa		PN1.0MPa		PN1.6MPa		PN2.5MPa				
	La	Lb				D1	Z-Φd	D1	Z-Φd	D1	Z-Φd	D1	Z-Φd			
50	43	43	160	340	240	110	4-14	125	4-18	125	4-18	125	4-18			
65	46	46	160	340	260	130	4-14	145	4-18	145	4-18	145	8-18			
80	49	64	178	360	260	150	4-18	160	4-18	160	8-18	160	8-18			
100	56	64	178	390	290	170	4-18	180	8-18	180	8-18	190	8-23			
125	64	70	178	450	310	200	8-18	210	8-18	210	8-18	220	8-25			
150	70	76	178	555	340	225	8-18	240	8-23	240	8-23	250	8-25			
200	71	89	419	690	370	280	8-18	295	8-23	295	12-23	310	12-25			
250	76	114	419	730	400	335	12-18	350	12-23	355	12-25	370	12-30			
300	83	114	437	810	460	395	12-23	400	12-23	410	12-25	430	16-30			
350	92	127	460	890	500	445	12-23	460	16-23	470	16-25	490	16-34			
400	102	140	470	950	520	495	16-23	515	16-25	525	16-30	550	16-34			
450	114	152	490	1050	571	550	16-23	565	20-25	585	20-30	600	20-34			
500	127	152	510	1080	610	600	20-23	620	20-25	650	20-34	660	20-41			
600	154	178	650	1360	795	705	20-25	725	20-30	770	20-41	770	20-41			
700	165	229	750	1480	850	810	24-25	840	24-30	840	24-41	875	24-48			
800	190	241	750	1600	945	920	24-30	950	24-34	950	24-39	990	24-48			
900	203	241	840	1780	1000	1020	24-30	1050	28-34	1050	28-39	1090	28-54			
1000	216	300	840	1900	1250	1120	28-30	1160	28-36	1170	28-42	1210	28-58			
1200	254	360	840	2270	1260	1340	32-34	1380	32-39	1390	32-48	1420	32-58			

保温蝶阀
Heat preservation butterfly valve



1. 特点及工作原理

保温蝶阀也称夹套蝶阀,在阀体的两法兰间制作保温夹套、在保温夹套上开设蒸汽(导热油)进、出口接管,使介质从进口端进入保温夹套内循环由出口端排出,确保保温夹套的温度,防止介质在常温下凝固结晶,从而提高阀门的安全可靠性、延长阀门的使用寿命。

2. 结构创新

双德公司保温蝶阀采用法兰加大设计(例举:DN700 阀门采用 DN800 的法兰尺寸标准,但阀门 DN700 的流道直径不变),实现阀门保温面积小、且保温容量大,达到阀门的保温效果好,保温时效快。

3. 应用范围

应用于化工、医药、生物、食品等行业的常温下输送凝固的高粘度介质,如(脂肪醇,硫磺、石蜡、树脂、油脂、巧克力等)。

4.主要零部件材料

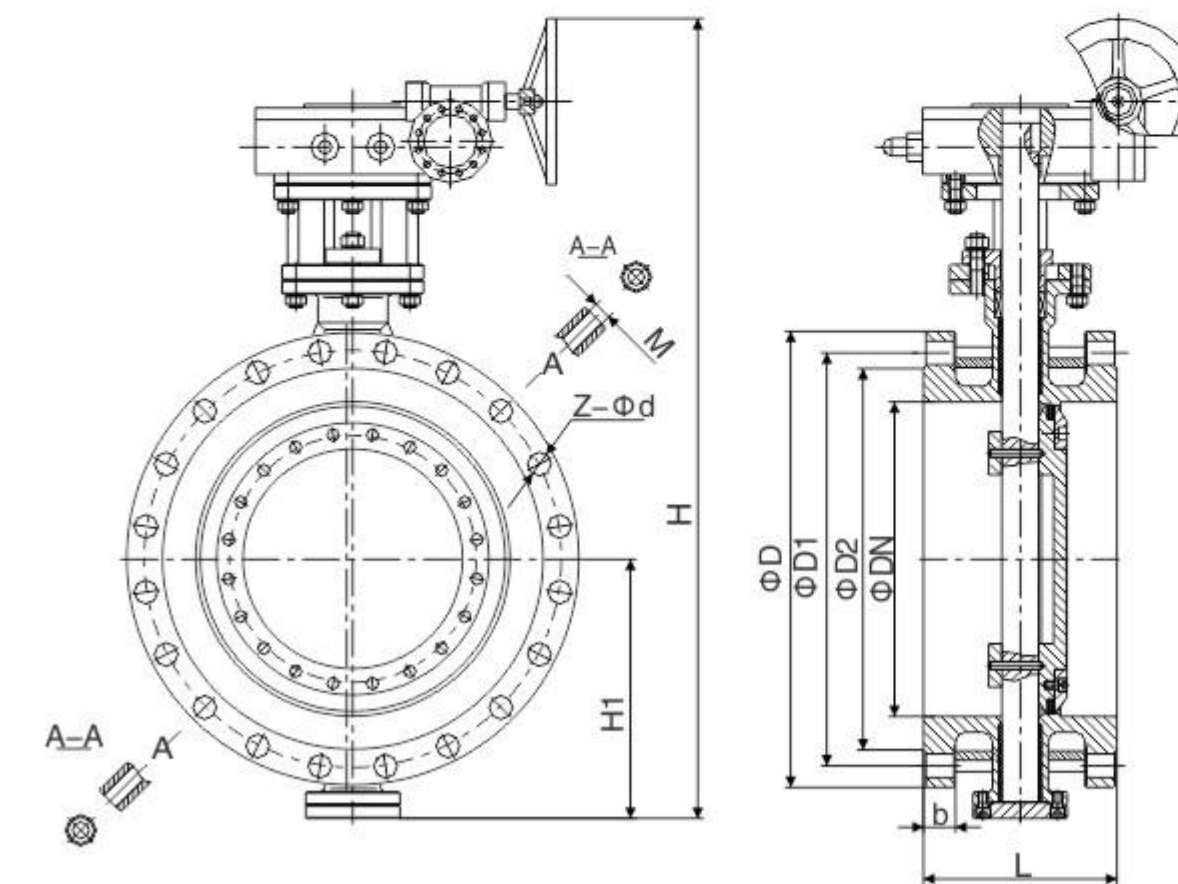
零件名称 Parts name	材料 Parts material
阀体 Body	铸钢、不锈钢、铬钼钢、合金钢
蝶板 Disc	铸钢、不锈钢、铬钼钢、合金钢
阀体 Body	不锈钢、抗磨材料
蝶板 Disc	1Cr13、2Cr13、不锈钢、铬钼钢
轴承 Bearing	奥氏体不锈钢、304氮化
填料 Packing	柔性石墨

5.主要技术参数

型号规格	DN (mm)	50-2000			50-500
试验压力 Test pressure	PN (Mpa)	0.6	1.0	2.5	4.0
试验压力 Test pressure	壳体试验 Shell testing	0.9	1.5	3.75	6.0
	密封试验 Seal test	0.66	1.1	2.75	4.4
	气密封试验 Air test	0.6	0.6	0.6	0.6
适用温度 Applicable temperature		碳钢: -25℃-425℃ 不锈钢: -40℃-600≤℃			
适用介质 Applicable medium		常温时高粘度介质			
驱动形式 Actuation form		蜗杆蜗轮传动、气传动、电传动等			

1)其它参数参照三偏心硬密封蝶阀

保温蝶阀
Heat preservation butterfly valve



外型及连接尺寸BD343H-PN10 (DN50-DN1400) Contour and connection size

公称通径 Nominal diameter	L		主要外形及连接尺寸 (mm) Main contour and connection size								
			H1	BD343H			PN1.0MPa				
	La	Lb		H	L1	L2	D	D1	D2	Z-φd	b
50	108	150	95	340	180	200	160/165	125	100	4-18	18
65	112	170	100	350	180	200	180/185	145	120	4-18	18
80	114	180	115	375	180	200	195/200	160	135	4-18	20
100	127	190	130	405	180	200	215/220	180	155	8-18	22
125	140	200	140	440	270	280	245/250	210	185	8-18	22
150	140	210	175	615	400	425	280/285	240	210	8-23	24
200	152	230	215	695	400	425	335/340	295	265	8-23	24
250	165	250	245	750	450	560	390/395	350	320	12-23	26
300	178	270	270	800	450	560	440/445	400	368	12-23	28
350	190	290	305	990	535	580	500/505	460	428	16-23	28
400	216	310	325	1040	535	580	565	515	482	16-25/26	30
450	222	330	360	1130	535	580	615	565	532	20-25/26	30
500	229	350	445	1380	570	660	670	620	585	20-25/26	32
600	267	390	505	1500	750	550	780	725	685	20-30	36
700	292	430	560	1585	750	550	895	840	800	24-30	36
800	318	470	630	1680	750	550	1010	950	905	24-34	38
900	330	510	680	1760	900	750	1110	1050	1005	28-34	38
1000	410	550	795	2020	1000	925	1220	1160	1115	28-36	38